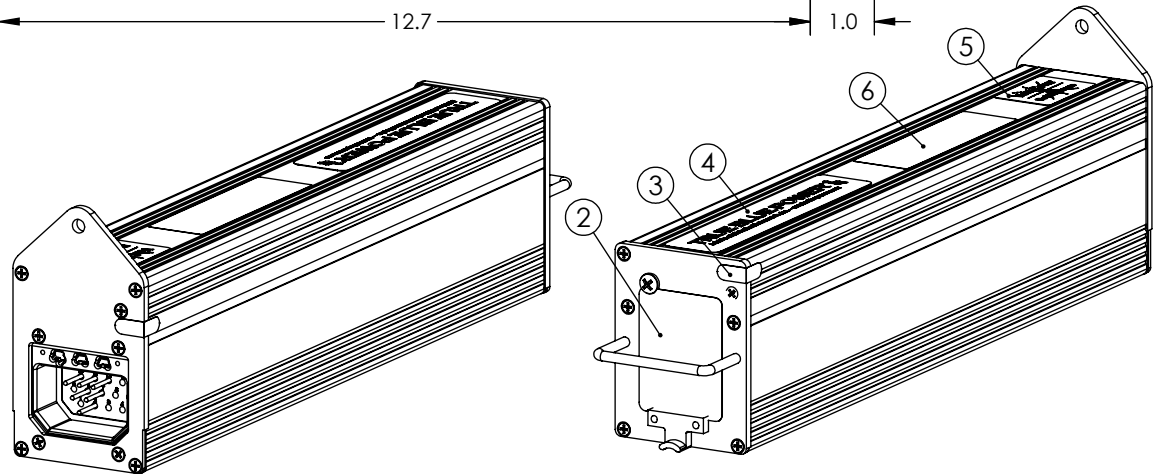
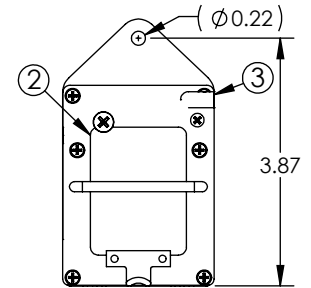
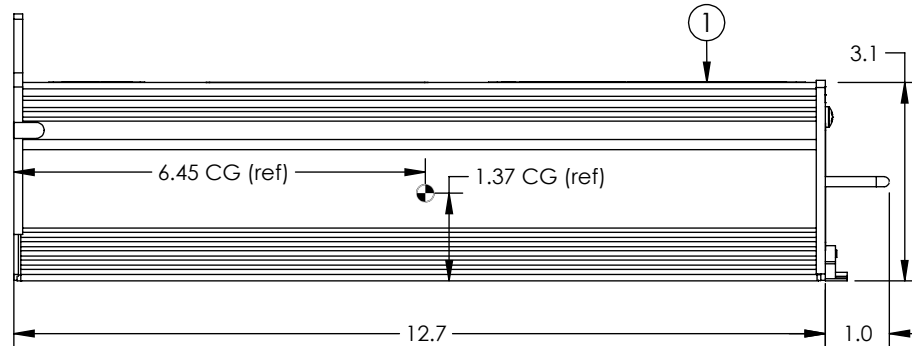
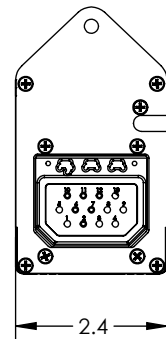


Configuration			
Dash #	Fuse	Assembly	Nameplate
-1	20 amp	9016834-1	9016745-1
-2	20 amp	9016834-2	9016745-1
-3	15 amp	9016834-3	9016745-3
-5	20 amp	9016834-5	9016745-5

Revision				
ECO	Rev.	Description	Date	Approved
		See obsolete drawings for revision history.		
6769	P	Weight NTE in title block was Concentricity.	06/26/17	ScH/VAA
6947	Q	Added 9019257-2 Charge Reminder Label.	08/14/18	MKN/MKN
7705	R	Updated for FAA TSO-C179b and DO-311A, added MOD 4 and Install Manual P/N.	01/10/24	ScH/WVC

Connector Pinout	
Pin #	Pin Description
1	Reserv ed
2	Test Switch
3	Reserv ed
4	Reserv ed
5	(See below)
6	Test Output
7	Power Ground
8	Reserv ed
9	(See below)
10	24 to 32 VDC In
11	20-26 VDC Out
12	Power Ground
13	(See below)

Pin 5 = auxiliary power out (3-5.5V) for -5 unit only
Pin 9 = Fuse bypass for -2 unit
Pin 9 = 5V enable line for -5 unit
Pin 13 = 5V enable for -5 unit only (alternate)



Specifications	
Model/Part	TS835-() / MD835-()
Power Input	24 to 32 VDC, 15 Amps max
Power Output	24.5 VDC nominal, fuse limited (see config) 3 to 5.5VDC adjustable output, 5A max (-5 only)
Battery Capacity	4.5 Amp-hour nominal (110 Watt-hour)
Certification and Qualifications	FAA TSO-C179b, RTCA DO-311A, RTCA DO-160F/G (see Install Manual for categories)
Mating Connector	DPXB-13-33S-0001 (or equiv)
Protection	Internal Fuse
Installation	1/4 ATR Rack
Weight	4.8 lbs
Install Manual	MCI A P/N 9016798

Note:

MOD 0: External diode required; fast charge for maintenance only.
MOD 1: External diode optional; fast charge during all operations.
MOD 2: Added sealed case with vent hole, and optional vent tube.
MOD 3: Extended filtering for high-transient load current.
MOD 4: Updated TSO from C179a to C179b.

Item	Qty	Part Number	Description
1	1	See config.	Assy, MD835
2	1	See config.	Nameplate, MD835
3	2	6018956-1	Decal, Warranty
4	1	9017130-1	Label, True Blue Power
5	1	9017966	Label, Vent
6	1	9019257-2	Label, Charge Reminder

UNLESS OTHERWISE SPECIFIED, ALL DIMENSIONS ARE IN INCHES.
TOLERANCE:
.X=±0.065
.XX=±0.015
.XXX=±0.005
.XXXX=±0.002
ANGULAR=±0.5°
WEIGHT: N.T.E. +5%
BREAK ALL SHARP EDGES
THREADS PER MIL-S-7742

DRAWN:
MKN
01/19/2009

APPROVED:
C. Mies
03/03/2009

This document discloses proprietary information of Mid-Continent Instrument Co. It may be reproduced or disclosed only with written permission of Mid-Continent Instrument Co. and is not to be used in any way detrimental to the interests of Mid-Continent Instrument Co.

TRUE BLUE POWER
A Division of Mid-Continent Instrument Co., Inc.

Emergency Power Supply

PART NUMBER:
MD835

SCALE: 1:3

DO NOT SCALE THIS DRAWING

SHEET: 1 of 1