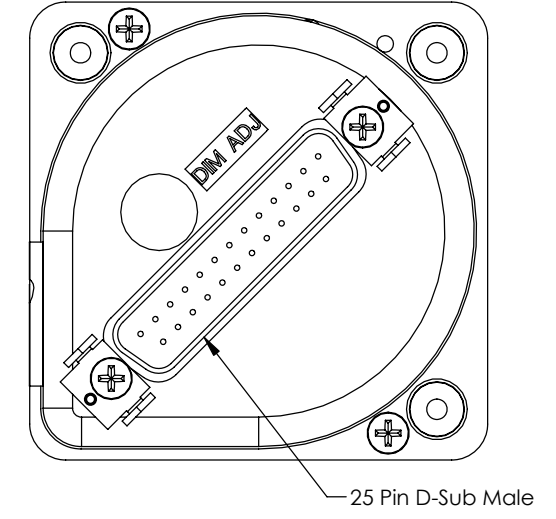
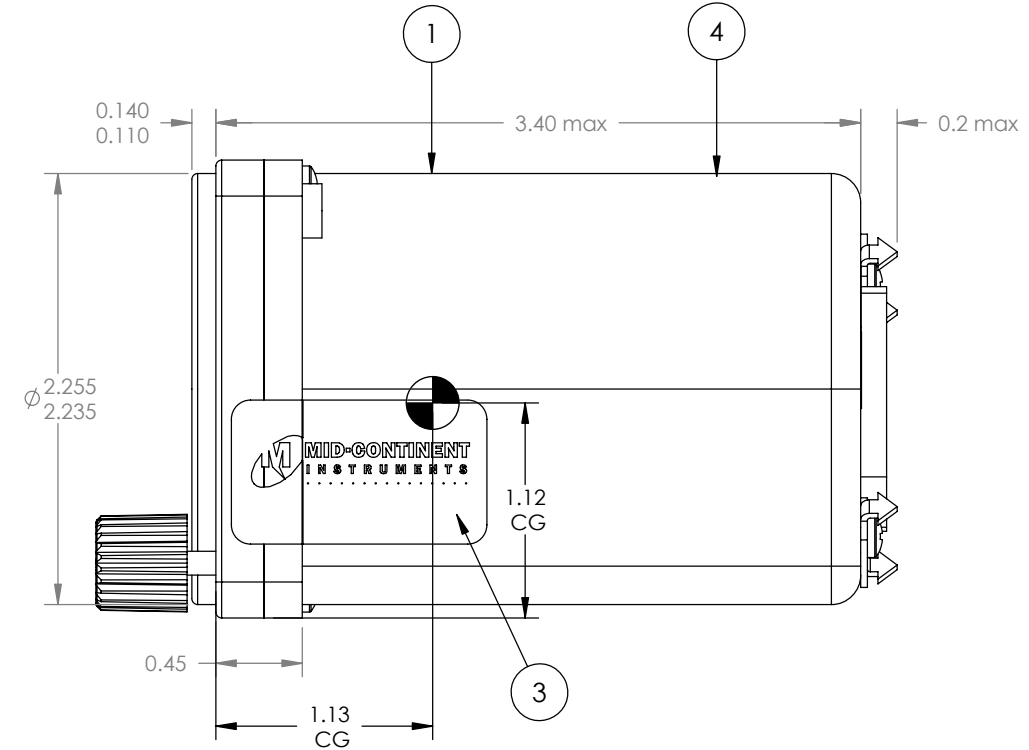
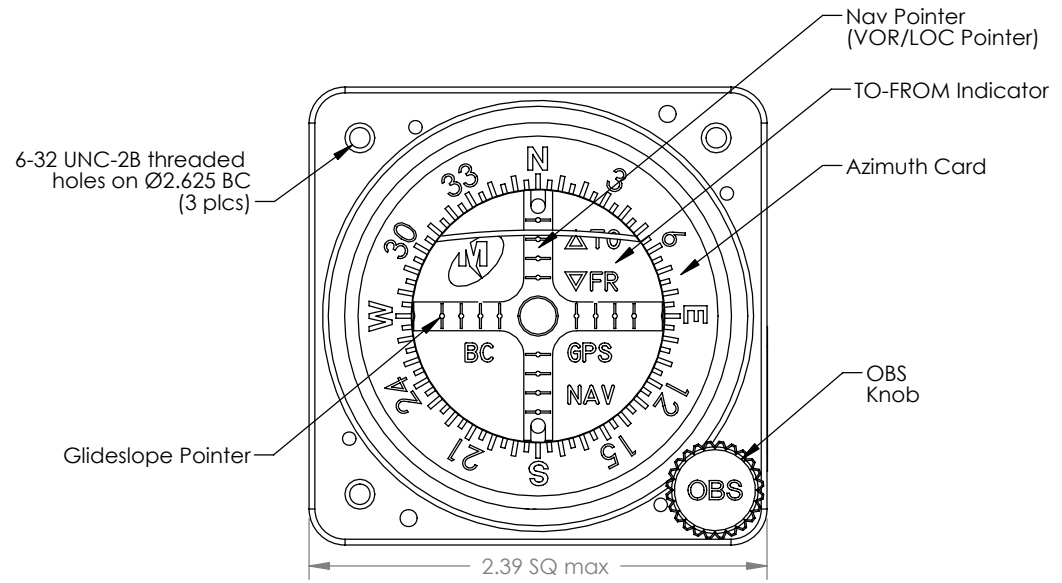


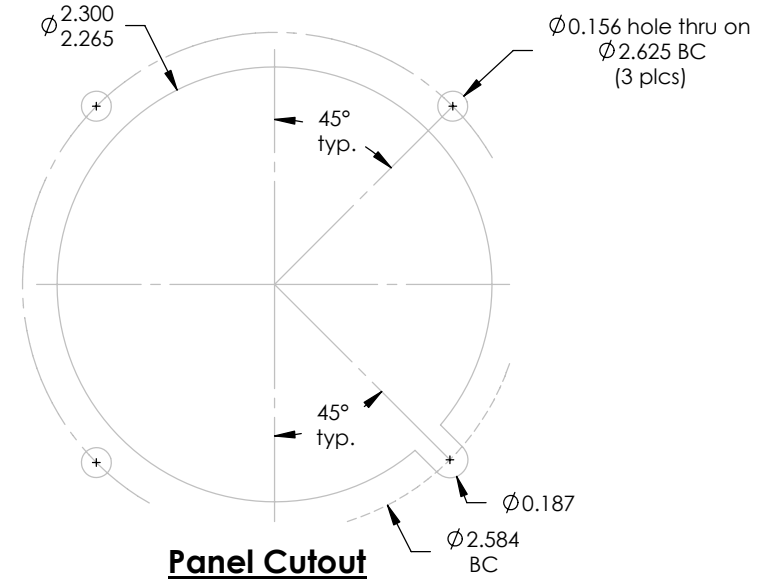
Configuration		
Dash #	Glideslope	Assy, MD222-5XX
-506	YES	9016244-2

Revision				
ECO	Rev.	Description	Date	Approved
		Model number was previously MD200-4XX. See MD200-5XX drawing for revision history.		
4840	B	Update DO 160 Environmental Category.	5/17/07	MCH/BAW
5599	C	Input Range was 0V to 5V.	5/10/11	MKN/JDS

Logo and company name have been changed in title block only. No functional or technical changes have been made. Revision remains unchanged.



Specifications			
Power Input	10 to 32 VDC		
Lighting	Internal White LED. Lighting control voltage is selectable for 5V, 14V or 28V DC.		
Weight	0.6 lbs.		
Qualification Tests	FAA TSO-C34e, C36e, and C40c RTCA DO-192,-195,-196,-160E Environmental Category F1S2AER(BB1G)XXXXXXZAAZ[ZC][WR]M[A3C3X]XXAX		
Temperature	-20°C to +70°C Operating		
Humidity	95% Non-Condensing		
Altitude	0 to +55,000 Ft.		
Operational Shock	Rigid Mounting, 6G operational, 20 G crash safety.		
Cover Glass	HEA (Anti-Reflective) Coated		
Connector	MD25M3S0V50		
Mating Connector	MD25F20JVL0 or equivalent		
Color	Index Marks and Pointers: White	Bezel: Black	
	Dial Background: Black	GPS Annunciation: Green	
	Glideslope and Navigational Pointers: White	MCI Logo: White	
	TO/FR, NAV and VLOC Annunciation: White		
Input Range	Common mode voltage range is 1V to 5V for deviation inputs.		
VOR/GS Deviation	Std. Temp. and Press.	Max Operating Temp Range	
	Input Impedance	1K ohms ± 10%	1K ohms ± 25%
	Deflection Sensitivity	150 mV ± 10%	150 mV ± 25%
To/From Indicator	Input Impedance	200 ohms ± 10%	200 ohms ± 25%
	Indicator Illuminated	±40mV ± 15%	±40mV ± 25%
OBS Resolver	Zeroed at	300°±1° ORZ	300°±2.5°
VOR/GS Valid Signal	Input Impedance	1K ohms ± 10%	1K ohms ± 25%
	Pointer In View	260 mV ± 10% max.	260 mV ± 25% max.
	Pointer Out of View	125 mV minimum	



Connector Pin Out			
Pin #		Pin #	
1	Resolver H	14	-NAV Annunciation
2	Resolver C	15	-GPS Annunciation
3	Resolver D	16	+TO
4	Resolver G	17	+From
5	Resolver E	18	+GS Warning
6	Resolver F	19	-GS Warning
7	Reserved	20	+NAV Warning
8	-BC Annunciation	21	-NAV Warning
9	+5 VDC Lighting	22	+Left
10	+14 VDC Lighting	23	+Right
11	+28 VDC Lighting	24	+Down
12	+Power	25	+Up
13	-Power Return		

- Notes:**
- MD222-5XX Course Deviation Indicator (CDI) is a 2-inch dual pointer indicator with the following indications:
 - 1) Rectilinear VOR/LOC deviation pointer: indicates the amount of deviation and direction from a selected VOR course or localizer path.
 - 2) TO/FROM Indicator: indicates whether the bearing of the selected station is to or from the aircraft when flying a selected course.
 - 3) Rectilinear glideslope deviation pointer: displays deviation from the glide path.
 - 4) OBS knob: rotates azimuth card to the desired bearing.

UNLESS OTHERWISE SPECIFIED, ALL DIMENSIONS ARE IN INCHES.
TOLERANCE:
FRACTIONAL=±1/64
.XX=±0.015
.XXX=±0.005
.XXXX=±0.002
ANGULAR=±0.5°
CONCENTRICITY: 0.005 TIR
BREAK ALL SHARP EDGES
THREADS PER MIL-S-7742

DRAWN:
M. Hawks
3/6/2006

APPROVED:
J. Reed
8/18/06

This document discloses proprietary information of Mid-Continent Instrument Co. It may be reproduced or disclosed only with written permission of Mid-Continent Instrument Co. and is not to be used in any way detrimental to the interests of Mid-Continent Instrument Co.

TITLE:
Course Deviation Indicator, 2"

SCALE: 1:1



PART NUMBER:
MD222-5XX

SHEET: 1 of 1

Item	Qty	Part Number	Description
1	1	See config.	Assy, MD222-5XX
2	1	7014517	Connector Kit
3	1	6018956	Decal, Warranty
4	1	9016271	Nameplate