

Configuration		
Dash #	Assy. Toplevel	Nameplate
-3, -4	9017989-3	6019152-2
-5	9017989-5	6017578
-5L	9017989-5L	6017578
-6	9017989-6	6019152-2
-6L	9017989-6L	6019152-2
-8, -9	9017989-8	6017578

Calibration table for MD11-3,-4, -6, -6L

SCALE READING	BULB RESISTANCE	TOL(°C)
-30°C	80.56 Ω	+4.0
-20°C	83.77 Ω	+3.0
-10°C	87.04 Ω	+3.0
0°C	90.38 Ω	+2.0
+10°C	93.80 Ω	+3.0
+20°C	97.31 Ω	+3.0
+30°C	100.91 Ω	+4.0

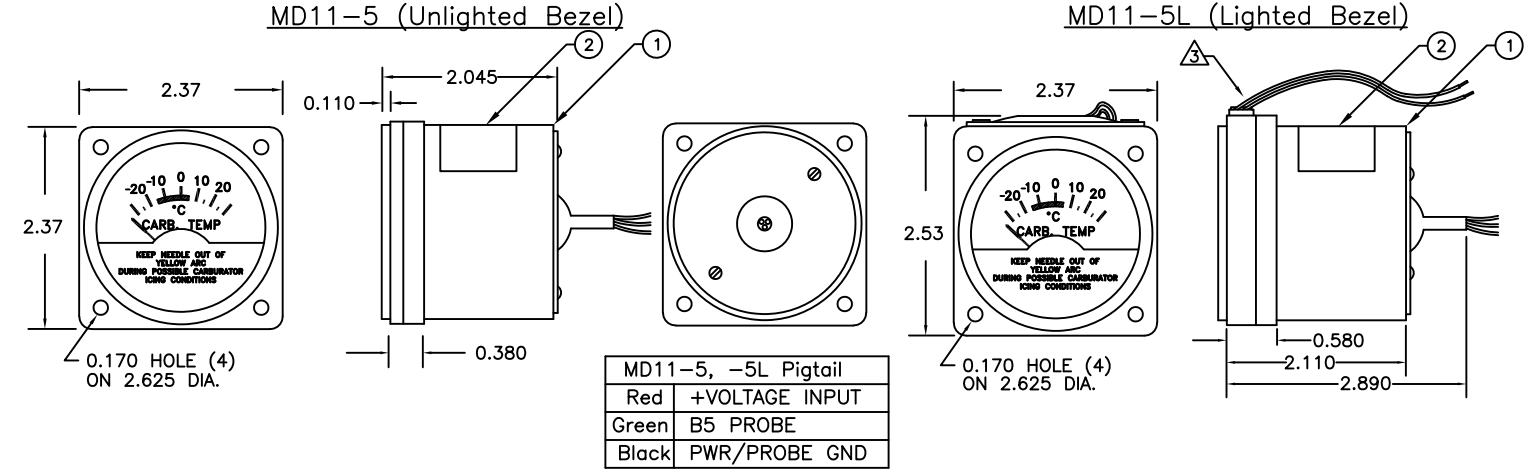
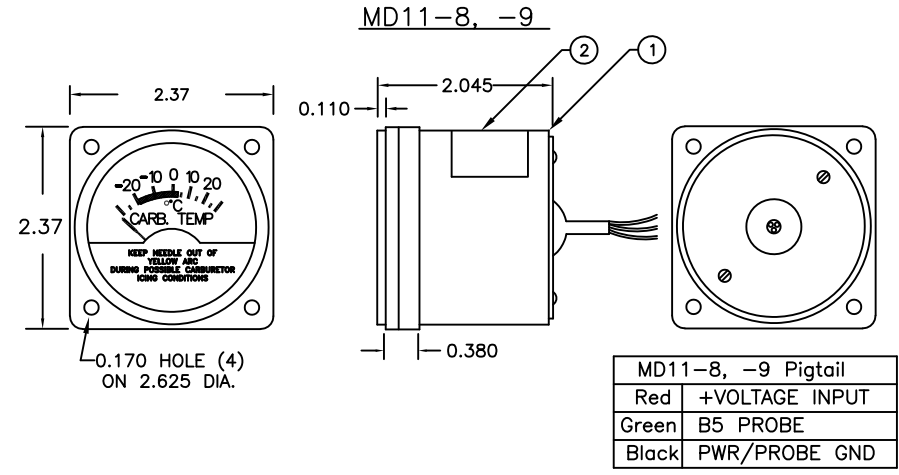
Calibration table for MD11-5,-5L,-8,-9

SCALE READING	BULB RESISTANCE	TOL(°C)
-30°C	77.40 Ω	±2.0
-20°C	81.73 Ω	±1.75
-10°C	86.05 Ω	±1.5
0°C	90.38 Ω	±1.0
+10°C	94.71 Ω	±1.5
+20°C	99.03 Ω	±1.75
+30°C	103.37 Ω	±2.0

Revisions			Date	Approved
ECO	Rev.	Description		
		See obsolete drawing for revision history.		
6056	G	Add config. table & BOM, 2.37 was 2.44 for unlighted, update title block, move pigtail/pinouts from notes to tables, 9017989 was 7019938 & 8012502.	11/6/13	ScH/MKN
6140	H	Add note 4) Mod status for improved meter movement, add nameplate to config.	03/17/14	ScH/MKN
6417	J	Add Mod 2 for update to PCB assembly.	07/16/15	KT/ScH
7106	K	Changed hole dia from 0.183 to 0.170.	08/23/19	VAA/MKN

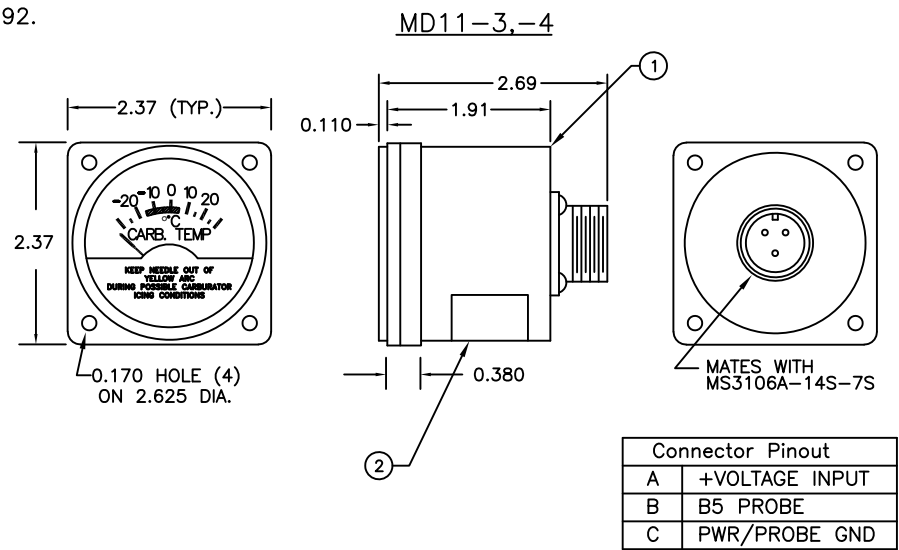
Note:

- Case in accordance with MS 33638 (2 Inch)
- Dial graduations & pointer are matte white, Bezel is dull black.
- Light Tray (5V, 14V or 28V) per customer spec.
 - 5 Volt - P/N 6018634-2
 - 14 Volt - P/N 6015010-2
 - 28 Volt - P/N 6015358-2
- Mod status (all units):
 - Mod 0 is standard meter movement.
 - Mod 1 is improved meter movement.
 - Mod 2 uses Rev C or later of PCB assembly 9017992.

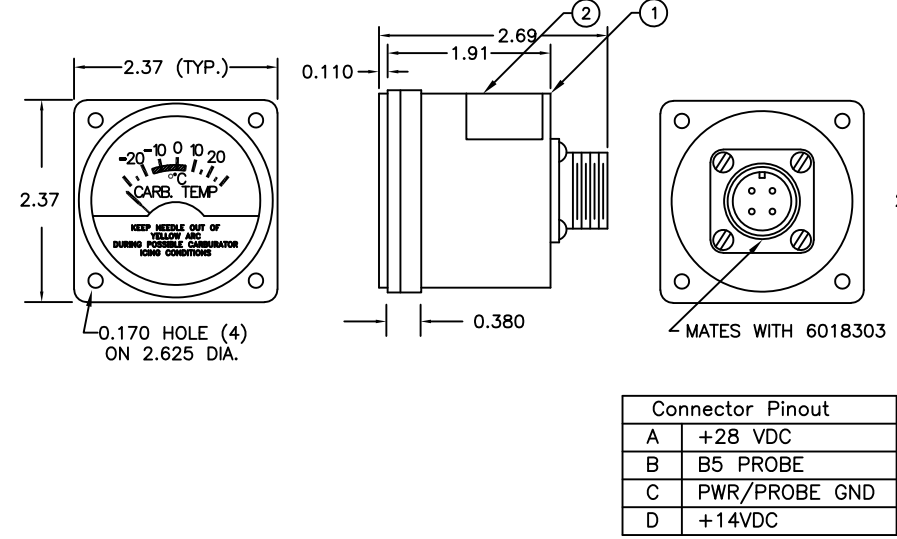


MD11-3, -4:

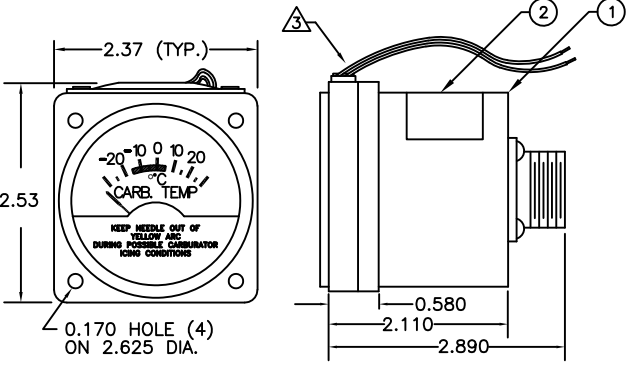
- For use with 0550209-1 Carb Air Temp bulb (Richter or MCI B-5)
- Dial & pointer conform to CES-1206,
- Range mark: 0.06 wide yellow arc: -15° TO +5°C UNDER white graduations.
- MD11-3 is CES type S1311-3 (12vdc). MD11-4 is CES type S1311-4 (24vdc).
- FAA-PMA approved. (PQ3738CE, Supplement #1)



MD11-6 (Unlighted Bezel)



MD11-6L (Lighted Bezel)



MD11-6, -6L:

- For use with Richter or MCI B-5 Carb Air Temp bulb.
- Range mark: 0.06 wide yellow arc: -15° to +5°C UNDER white graduations.
- Dual voltage: 14 or 28 VDC.

MD11-8, -9:

- For use with MCI B-5 Carb Air Temp bulb.
- Range mark: 0.06 wide yellow arc: -19° to +3°C OVER white graduations.
- MD11-8 calibration voltage: 13.7 MD11-9 calibration voltage: 27.4
- MD11-8 Cust. P/N C604-7 (Robinson). MD11-9 Cust. P/N C604-9 (Robinson).

Item	Qty	Part Number	Description
1	1	See config.	Assy, MD11
2	1	See config.	Nameplate

UNLESS OTHERWISE SPECIFIED, ALL DIMENSIONS ARE IN INCHES. TOLERANCE: .FRACTIONAL=±1/64 .XX=±0.015 .XXX=±0.005 .XXXX=±0.002 ANGULAR=±0.5° CONCENTRICITY: 0.005 TIR BREAK ALL SHARP EDGES THREADS PER MIL-S-7742	DRAWN: N. Kow 07/22/1999	This document discloses proprietary information of Mid-Continent Instrument Co., Inc. It may be reproduced or disclosed only with written permission of Mid-Continent Instrument Co. and is not to be used in any way detrimental to the interests of Mid-Continent Instrument Co., Inc.	
	APPROVED: JBR 07/30/1999		
SCALE: None		DO NOT SCALE THIS DRAWING	
		SHEET 1 of 1	