

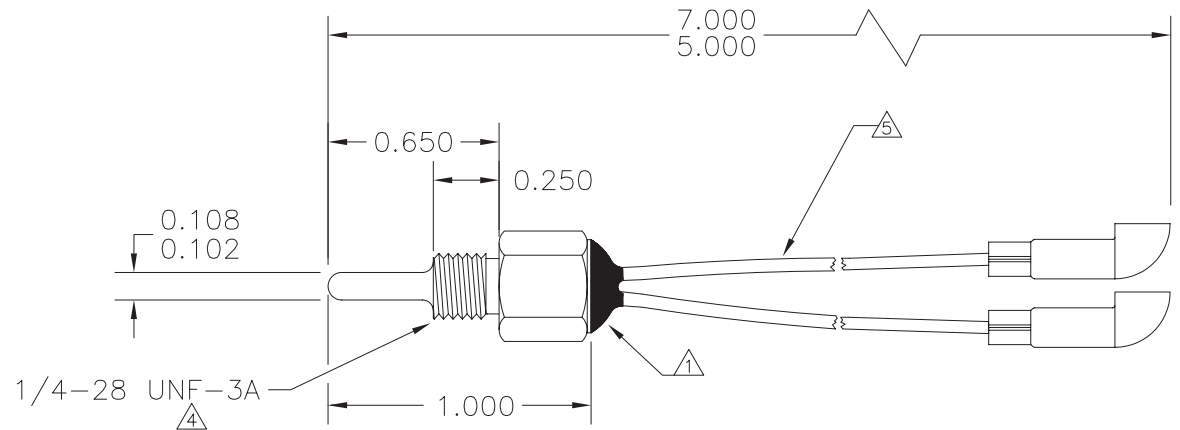
This document discloses proprietary information of Mid-Continent Instrument Co., Inc. It may be reproduced or disclosed only with written permission of Mid-Continent Instrument Co., Inc. and is not to be used in any way detrimental to the interests of Mid-Continent Instrument Co., Inc.

Revisions				
ECO	Rev.	Description	Date	Approved

Logo and company name have been changed in title block only. No functional or technical changes have been made. Revision remains unchanged.

Table 1

Temperature (°C)	Resistance (Ohm)
-30±3.0	80.56±1.08
-20±2.0	83.77±.72
-10±2.0	87.04±.72
0±1.5	90.38±.54
+10±2.0	93.80±.72
+20±2.0	97.31±.72
+30±3.0	100.91±1.08



Note:

- ① Internal connections hermetically potted and sealed against moisture and contamination.
- 2) Probe resistance is 90.38±.54 Ohms at 0±1.5°C, and typ. curve value is specified in table 1.
- 3) Mounting hardware and electrical connectors included.
- ④ High quality probe shell machined from solid brass.
- ⑤ High temperature teflon insulated leads

<small>UNLESS OTHERWISE SPECIFIED ALL DIMENSIONS ARE IN INCHES TOLERANCE: FRACTIONAL = ±1/16 .XX = ±.015 .XXX = ±.005 .XXXX = ±.002 ANGULAR = ±0.5° CONCENTRICITY: .005 TIR BREAK ALL SHARP EDGES THREADS PER MIL-S-7742 SURFACE ROUGHNESS _____ ✓</small>	<small>DRAWN</small>	N. Kow	10/20/99		<small>TITLE:</small> Probe, Carb. Temp.	<small>PART NUMBER:</small> B-5
	<small>APPROVED</small>	SN	10/20/99			
	<small>TOP LEVEL ASSY:</small>	1518170			<small>SCALE:</small> None	<small>DO NOT SCALE THIS DRAWING</small>
	<small>USED ON:</small>					
<small>END ITEM:</small>						
<small>CODE IDENT. NO.:</small>	59742					