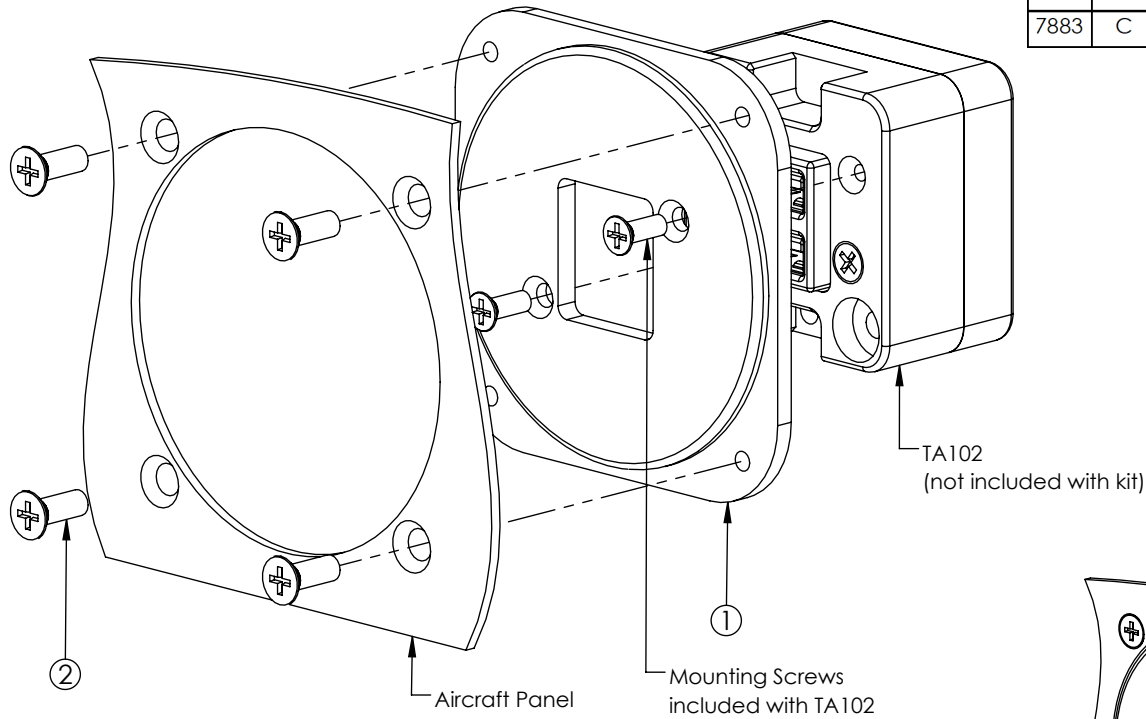


Configuration

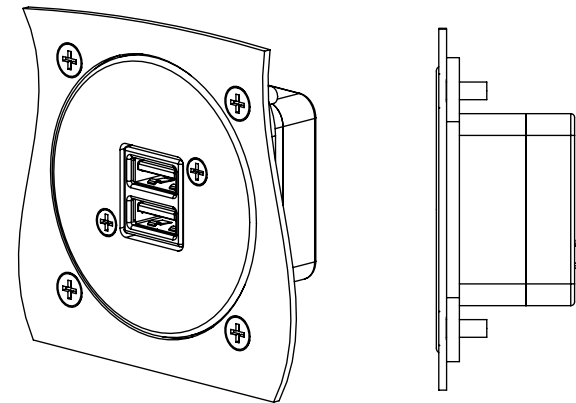
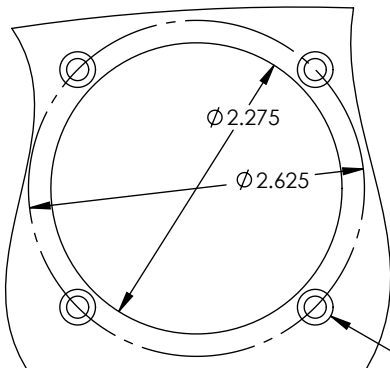
Dash #

Revision

ECO	Rev	Description	Date	Approved
	A	Production release.	07/17/13	TKV/WVC
6700	B	Update views. Remove -1 config (unused).	12/08/16	BAW/MKN
7883	C	Changed 90-612-10012 to 90-612-10013.	03/10/25	VAA/MKN



Panel Cutout



Item	Qty	Part Number	Description
1	1	9017910	Adaptor Plate, TA102
2	4	90-612-10013	Screw 6-32X3/8 Flat Phil Blk UC Patch

UNLESS OTHERWISE SPECIFIED, ALL DIMENSIONS ARE IN INCHES.
 TOLERANCE:
 FRACTIONAL=±1/64
 .XX=±0.015
 .XXX=±0.005
 .XXXX=±0.002
 ANGULAR=±0.5°
 CONCENTRICITY: 0.005 TIR
 BREAK ALL SHARP EDGES
 THREADS PER MIL-S-7742

DRAWN:
 TKV
 07/16/2013
 APPROVED:
 WVC
 07/17/13

This document discloses proprietary information of Mid-Continent Instrument Co., Inc. It may be reproduced or disclosed only with written permission of Mid-Continent Instrument Co. and is not to be used in any way detrimental to the interests of Mid-Continent Instrument Co., Inc.



TITLE:
 Instrument Mount Kit, Dual USB

PART NUMBER:
 9017947

SCALE: 2:3

DO NOT SCALE THIS DRAWING

SHEET: 1 of 1