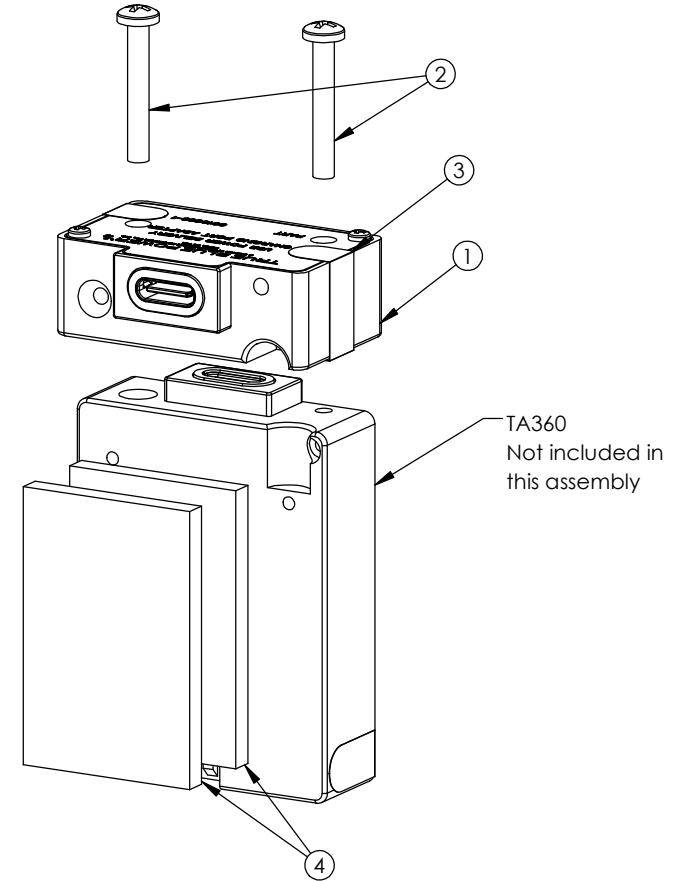
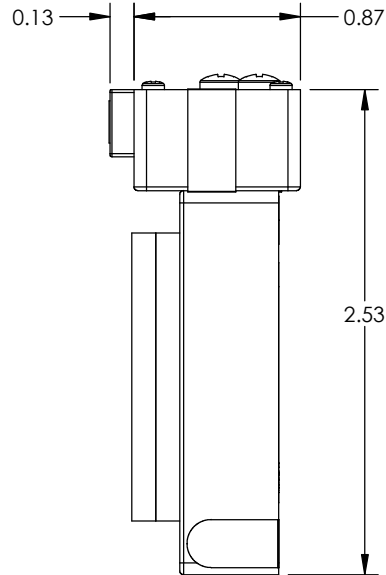
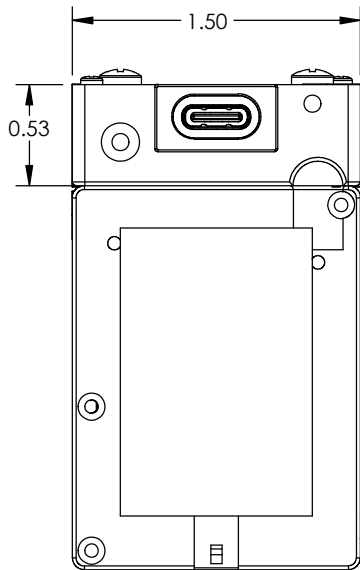


Configuration

Dash #	
-1	As Shown

Revision

ECO	Rev	Description	Date	Approved
	A	Production release.	07/28/23	VAA/MKN



Item	Qty	Part Number	Description
1	1	9010359-1	Assy, Adapter, TA360
2	2	90-424-00011	Screw 4-40X3/4 Pan Phil Blk Patch
3	2	6018956-1	Decal, Warranty Void
4	2	9017847-3	Silicone Foam, TB12

Note:

UNLESS OTHERWISE SPECIFIED, ALL DIMENSIONS ARE IN INCHES.
 TOLERANCE:
 .X= ±0.065
 .XX= ±0.015
 .XXX= ±0.005
 .XXXX= ±0.002
 ANGULAR= ±0.5°
 WEIGHT N.T.E. +5%
 BREAK ALL SHARP EDGES
 THREADS PER MIL-S-7742

DRAWN:
 VAA
 07/19/2023

APPROVED:
 MKN
 07/28/2023

This document discloses proprietary information of Mid-Continent Instrument Co., Inc. It may be reproduced or disclosed only with written permission of Mid-Continent Instrument Co. and is not to be used in any way detrimental to the interests of Mid-Continent Instrument Co., Inc.

TRUE BLUE POWER
 A division of Mid-Continent Instrument Co., Inc.

TITLE:
Adapter, TA360, Right Angle

PART NUMBER:
9010360

SCALE: 1:1

DO NOT SCALE THIS DRAWING

SHEET: 1 of 1