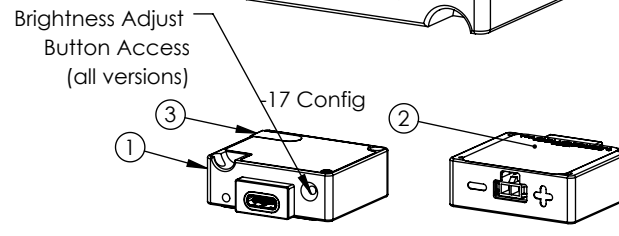
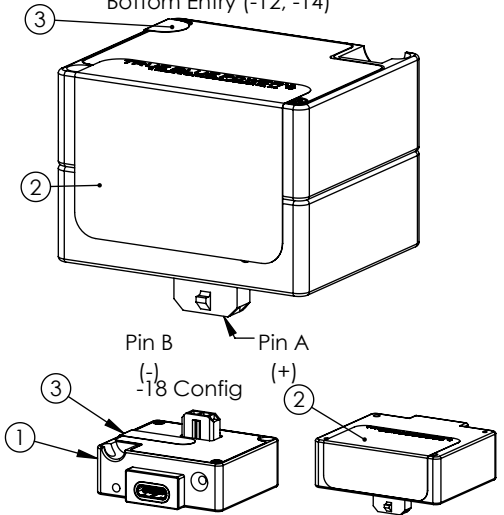
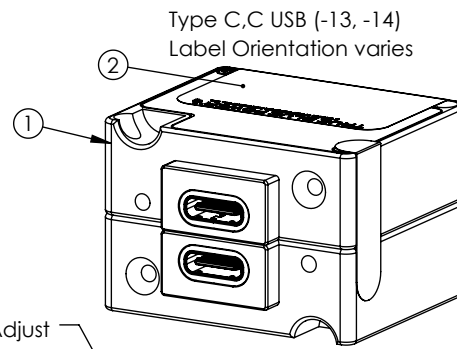
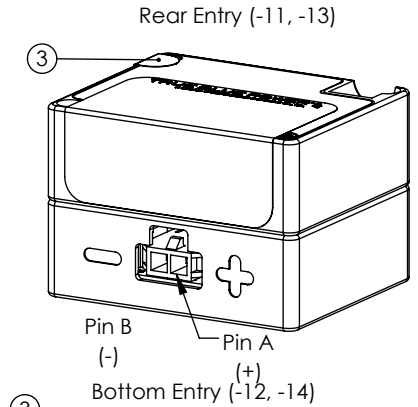
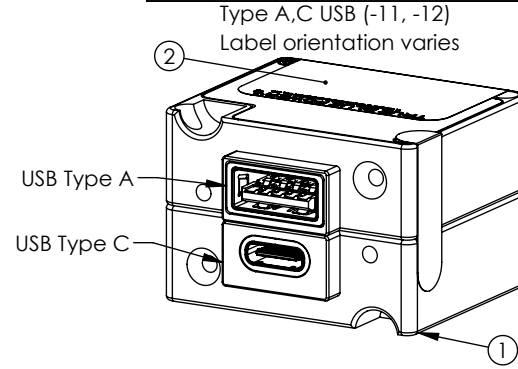
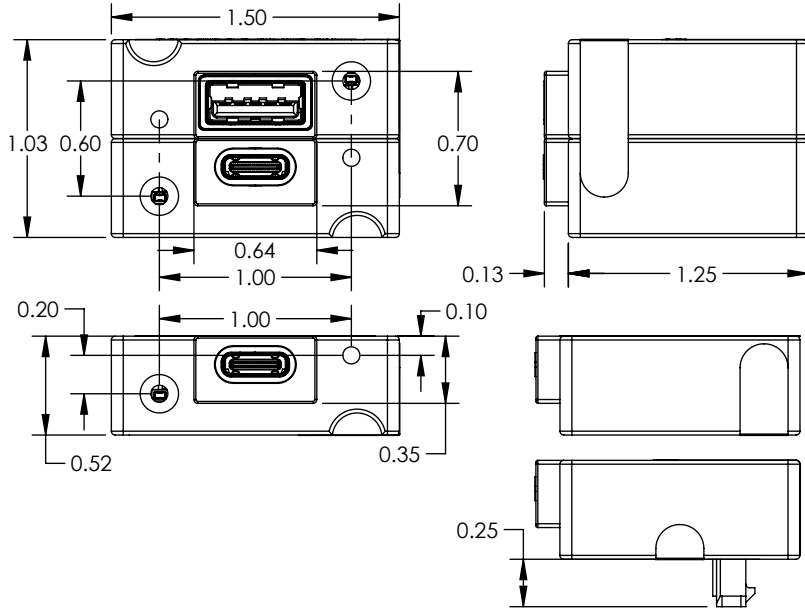


Configuration			
Unit #	Assy, TA245	Power Input	USB Connector
6430245-11	-11	Rear	Type A, C
6430245-12	-12	Bottom	Type A, C
6430245-13	-13	Rear	Type C, C
6430245-14	-14	Bottom	Type C, C
6430245-17	-17	Rear	Type C
6430245-18	-18	Bottom	Type C

Revision				
ECO	Rev.	Description	Date	Approved
	A	Production release.	06/26/25	VAA/BAW
7983	B	Specifications Weight: was 0.9 oz (26g) -single port, 1.9 oz (54g) -dual port now 1 oz -single port, 2 oz -dual port.	10/07/25	SWM/DCS
8044	C	Added -12, -14, -18 configurations and power input	03/09/26	JKY/ESH
8058	D	Revised view for -11 and -12 units.	04/16/26	JKY/ESH



Specifications	
Model Number	TA245
Interface	USB Type-A USB Type-C
Voltage - Input	12 - 32 VDC
Voltage - Output	Auto Adjusting per Device
	5, 3.6-12 VDC 5, 9, 15, 20, or 3.3-20 VDC
Power- Input/Output	39W / 36W per port 48W / 45W per port
Status Light	Power (blue), Charging (green), Fault (yellow) Adjustable: Off, Low, Medium, High
Standards	USB BC 1.2, QC 3.0 USB BC 1.2, QC 3.0, USB PD 3.0, USB PPS 3.0
	FAA TSO-C71 RTCA DO-160G (See Installation Manual)
Case	Anodized Aluminum, Black
Mating Connector Kit	P/N 9017960
Weight	1 oz -single port, 2 oz -dual port
Installation Manual	P/N 9020198

Connector Pinout	
A	12-32 VDC Input
B	Ground

UNLESS OTHERWISE SPECIFIED, ALL DIMENSIONS ARE IN INCHES.
TOLERANCE:
.X=±0.065
.XX=±0.015
.XXX=±0.005
.XXXX=±0.002
ANGULAR=±0.5°
WEIGHT N.T.E. +5%
BREAK ALL SHARP EDGES
THREADS PER MIL-S-7742

DRAWN:
VAA
08/29/2024

APPROVED:
BAW
06/04/2025

This document discloses proprietary information of Mid-Continent Instrument Co., Inc. It may be reproduced or disclosed only with written permission of Mid-Continent Instrument Co. and is not to be used in any way detrimental to the interests of Mid-Continent Instrument Co., Inc.

TITLE:
USB Charging Port

Item	Qty	Part Number	Description
1	1	9020200-()	Assy, TA245 (see config)
2	1	9020197-1	Nameplate, TA245
3	1	6018956-1	Decal, Warranty Void

TRUE BLUE POWER
A division of Mid-Continent Instrument Co., Inc.

PART NUMBER:
6430245

SCALE: 1:1 DO NOT SCALE THIS DRAWING SHEET: 1 of 1