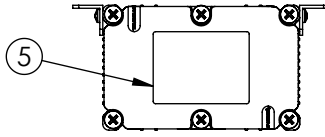
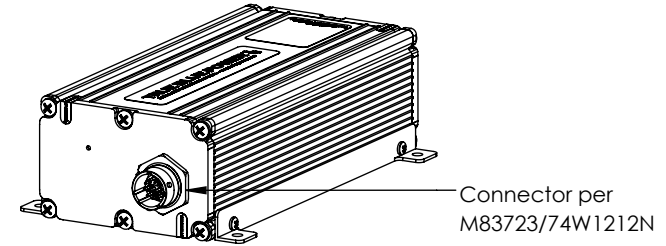
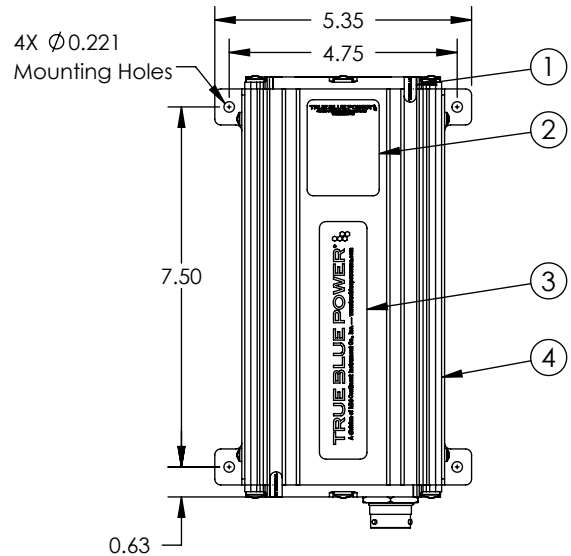


Configuration			
Dash #	Assy, TS60	Connector Kit	Nameplate
-1	9018970-1	9019011-1	9018971-1
-2	9018970-2	9019011-2	9018971-2
-3	9018970-3	9019011-1	9018971-3
-4	9018970-4	9019011-2	9018971-4

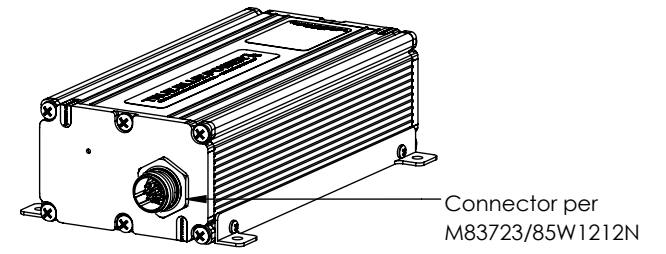
Revision				
ECO	Rev.	Description	Date	Approved
	A	Production release.	06/11/18	VAA/WVC
6947	B	Updated drawing relation for dash numbers and added 9019257-1.	08/14/18	VAA/MKN
6973	C	Changed 9019257-1 to 9019257-3.	10/03/18	VAA/MKN



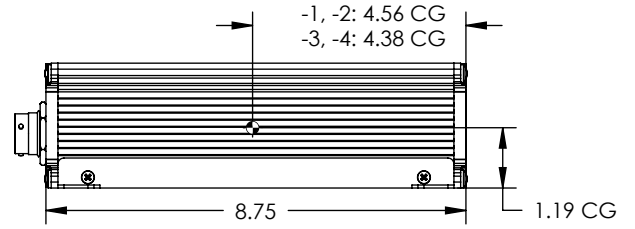
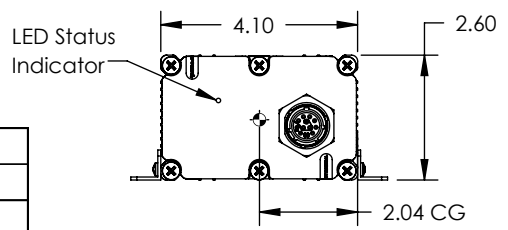
Comm Connector	Comm Connector	
MS83723/74W1212N	MS83723/85W1212N	
6430060-1, -3	6430060-2, -4	
Pin	Pin Function	Pin Function
1	Unused	Loop Thru
2	Sense/Charge	Sense/Charge
3	Arm	Arm
4	Disarm	Disarm
5	Power Return	Power Return
6	Load_06	Load_06
7	Unused	Load_07
8	Load_08	Load_08
9	Unused	Load_09
10	Load_10	Load_10
11	Unused	Loop Thru
12	Load_12	Battery Check



-1, -3 Configurations



-2, -4 Configurations



Specifications	
Model Number	TS60
Power Input	-1,-2: 17 to 32 VDC 0.5 A Max
	-3,-4: 24 to 32 VDC 0.5 A Max
Power Output	-1,-3: 4 A @ 6.6 VDC Nominal
	-2,-4: 7 A @ 6.6 VDC Nominal
Rated Energy	-1,-2: 28 Wh
	-3,-4: 43 Wh
Certification and Qualifications	FAA TSO-C179b-CLASS A-3A
	RTCA DO-311A RTCA DO-160G (See install manual for categories)
Mating Connector	See Config
Weight	-1, -2: 3.8 Lbs; -3, -4: 4.0 Lbs
Install Manual	MCIA P/N 9018972

UNLESS OTHERWISE SPECIFIED, ALL DIMENSIONS ARE IN INCHES.
TOLERANCE:
FRACTIONAL=±1/64
.XX=±0.015
.XXX=±0.005
.XXXX=±0.002
ANGULAR=±0.5°
WEIGHT N.T.E. +5%
BREAK ALL SHARP EDGES
THREADS PER MIL-S-7742

DRAWN:
VAA
10/06/2017

APPROVED:
WVC
10/13/2017

This document discloses proprietary information of Mid-Continent Instrument Co., Inc. It may be reproduced or disclosed only with written permission of Mid-Continent Instrument Co. and is not to be used in any way detrimental to the interests of Mid-Continent Instrument Co., Inc.

TITLE:
Emergency Battery Power Supply

TRUE BLUE POWER
A Division of Mid-Continent Instrument Co., Inc.

PART NUMBER:
6430060

SCALE: 1:4 DO NOT SCALE THIS DRAWING SHEET: 1 of 1

Item	Qty	Part Number	Description
1	4	6018956-1	Decal, Warranty
2	1	See Config	Nameplate, TS60
3	1	9017130-1	Label, True Blue Power
4	1	See Config	Assy, TS60
5	1	9019257-3	Label, Battery, Charge Reminder