

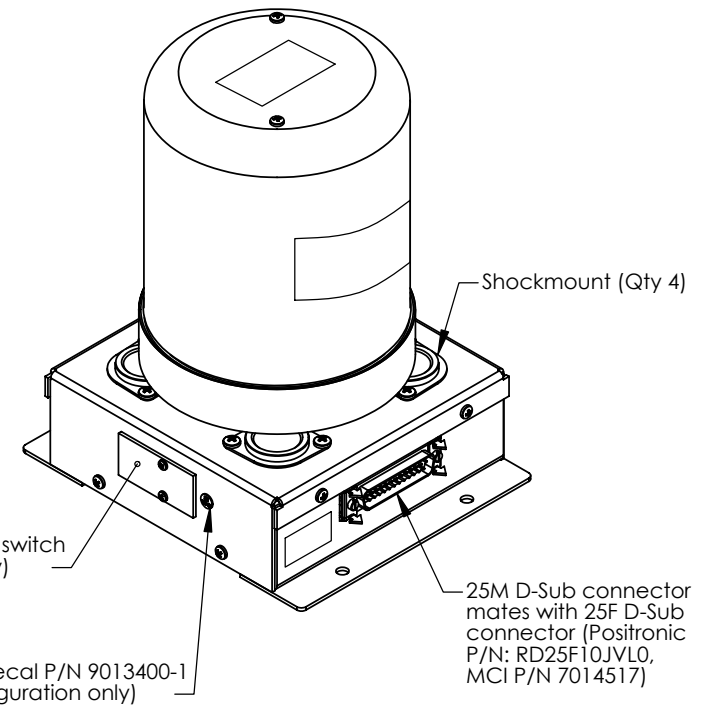
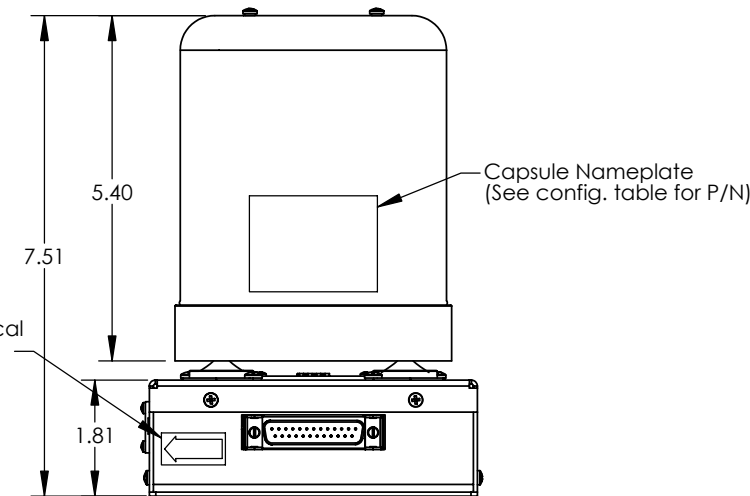
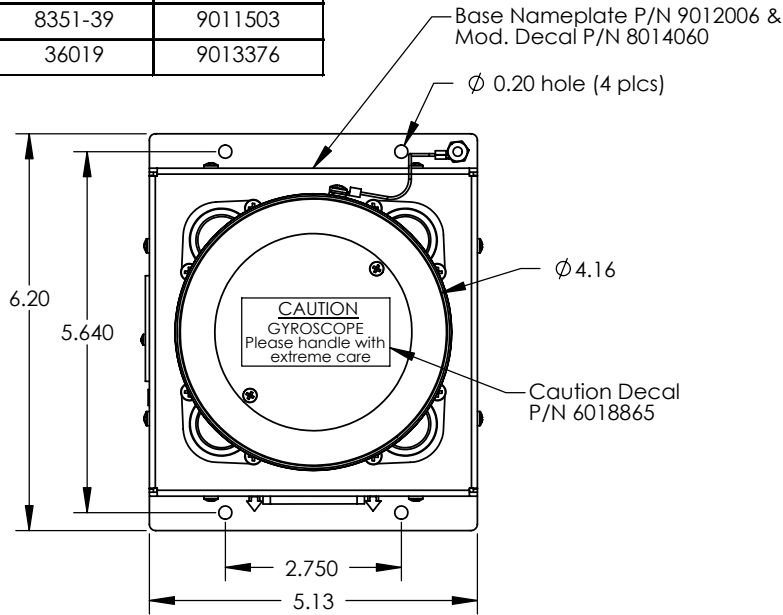
Configuration

Dash #	Input	Nameplate	Install Manual
-114	14 VDC	8351-38	9011503
-128	28 VDC	8351-39	9011503
-150	14 or 28 VDC	36019	9013376

Revision

ECO	Rev.	Description	Date	Approved
1868	A	Add -114 and -128 config. Dwg P/N was 4305-(100). Note 1 was input v oltague.	8/4/00	JBR
1929	B	Weight was 5.3 lbs, 15 VA was 20 VA. Delete note 2.	9/25/00	ScH
2001	C	Weight was 4.8 lbs. Add nameplate P/Ns	11/16/00	NHK, ScH
2286	D	Add -150 config, add manual #s to config.	3/9/01	ScH/JW
2298	E	Add nameplate P/Ns to config. Table.	4/10/01	ScH/JW
2442	F	Add Voltage Decal P/N 9013400-1 in isometric v view.	7/31/01	NHK/ScH
2611	G	Note 3: Add TSO-C5e and Env . Cat. for -150 after 1/1/02. 36019 was 8351-40. Add 9014960.	1/2/02	JBR/ScH

Logo and company name have been changed in title block only. No functional or technical changes have been made. Revision remains unchanged.



Note:

- 1) Integral 15 VA 26V 400Hz Inverter.
- 2) MTBF 8000 hours.
- 3) 4305-150 manufactured after 1/1/02, meets TSO-C5e, DO-160D ENV. CAT. D2-BBB[UFF1(SBM)]XXXXXXZBAAATL(XXXX)XXXX. 4305-114, -128 and previous -150 meet TSO-C5c.
- 4) Weight 4.2 lb.
- 5) See drawing P/N 9011511 for pin out connections.

This document discloses proprietary information of Mid-Continent Instrument Co., Inc. It may be reproduced or disclosed only with written permission of General Design/Mid-Continent Instrument Co., Inc and is not to be used in any way detrimental to the interests of Mid-Continent Instrument Co., Inc.

UNLESS OTHERWISE SPECIFIED ALL DIMENSIONS ARE IN INCHES TOLERANCE: FRACTIONAL = ±1/64 .XX = ±0.015 .XXX = ±0.005 .XXXX = ±0.002 ANGULAR = ±0.5° CONCENTRICITY: 0.005 TIR BREAK ALL SHARP EDGES THREADS PER MIL-S-7742	DRAWN:	N. Kow	7/12/00		TITLE: Directional Gyro	PART NUMBER: 4305	
	APPROVED:	B. Barnes	8/1/00				
	TOP LEVEL ASSY:	9011495			USED ON:		
	END ITEM:	4305-1XX Series			SCALE: 1:3	DO NOT SCALE THIS DRAWING	SHEET: 1 of 1
SURFACE ROUGHNESS: <input type="checkbox"/> <input type="checkbox"/> <input checked="" type="checkbox"/>	CODE IDENT. NO:	59742					