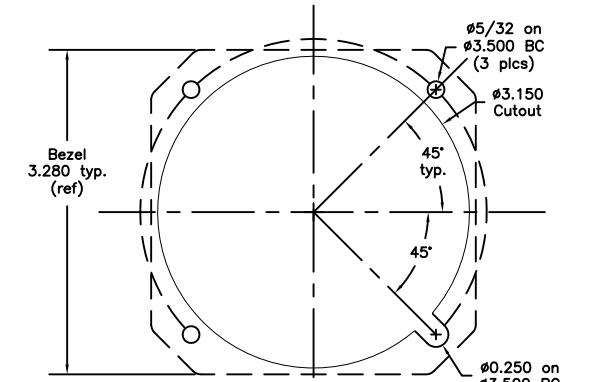
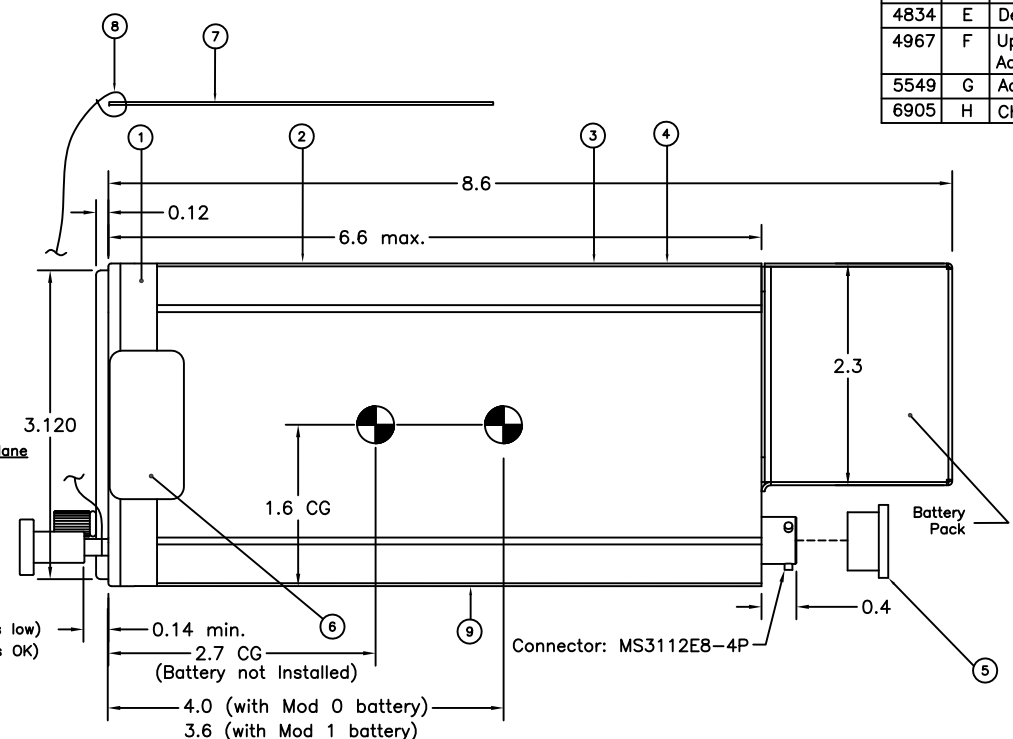
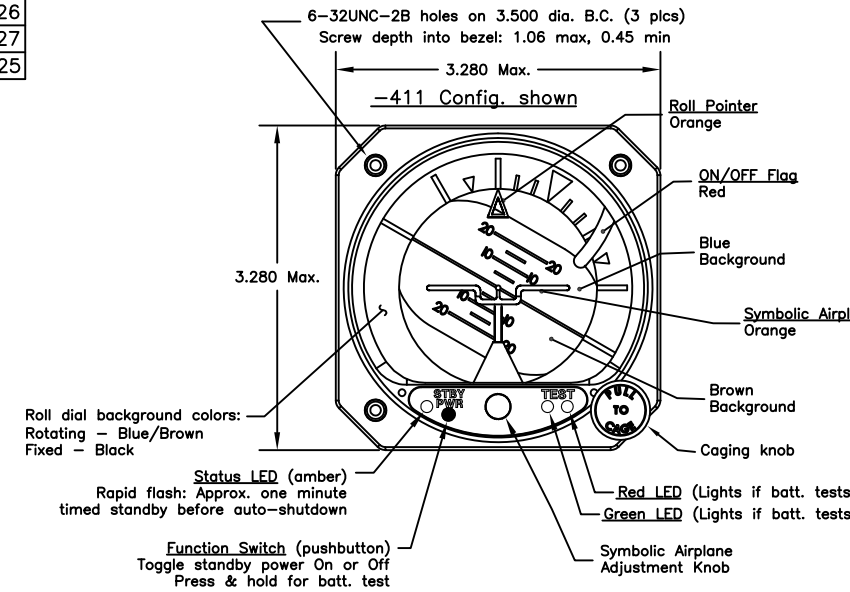
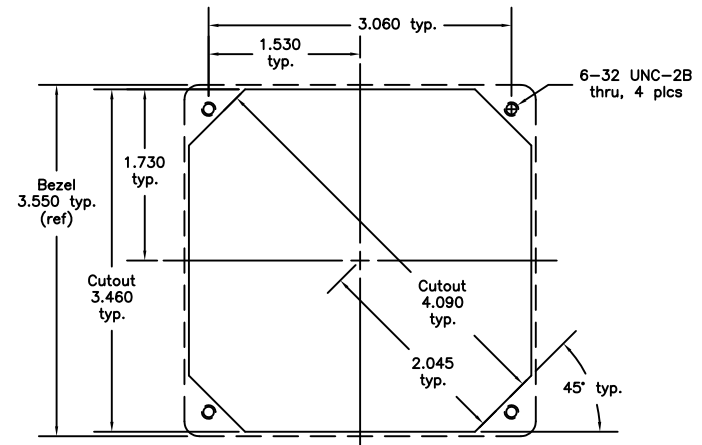


Configuration				
Dash #	Face Layout	Roll Dial	Symbolic Airplane	EGH Assembly
-411	A	Rotating	Traditional	9015396-16
-412	B	Fixed	Traditional	9015396-12
-413	C	Rotating	Delta	9015396-15
-414	D	Fixed	Delta	9015396-11
-431	E	Rotating	Traditional	9015396-28
-432	F	Fixed	Traditional	9015396-26
-433	G	Rotating	Delta	9015396-27
-434	H	Fixed	Delta	9015396-25

Revisions				
ECO	Rev.	Description	Date	Approved
		See obsolete drawing for revision history.		
4337	D	Note 5: DO160 Temp/Alt C1 was A2, HIRF WW was RR.	05/11/05	JBR/ScH
4834	E	Delete -40X single voltage versions.	04/30/07	Sch/MCH
4967	F	Update DO160 specification from ...[WW]M[A3C3]... to ...[WF]M[A3H33]... Add BOM. Reorganize drawing.	01/16/08	MKN/ScH
5549	G	Added 9015882 and 9015908.	02/03/11	MKN/ScH
6905	H	Changed CG with battery, corrected battery height.	04/20/18	MEK/ScH



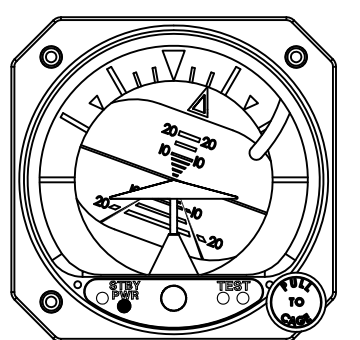
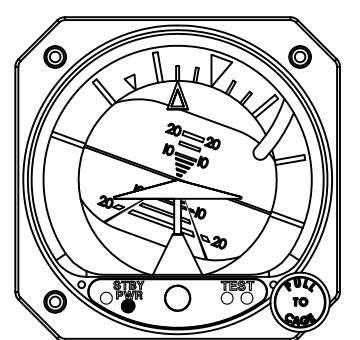
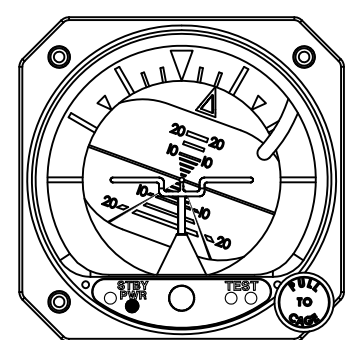
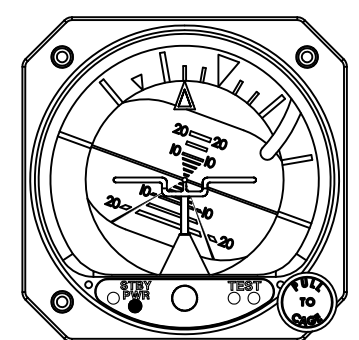
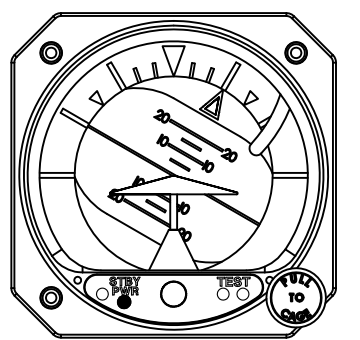
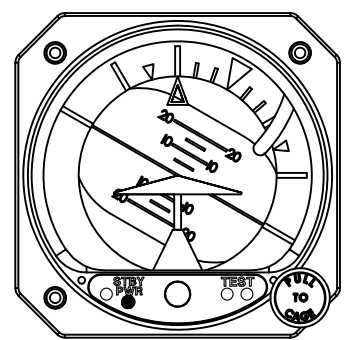
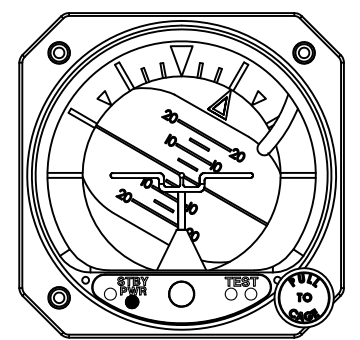
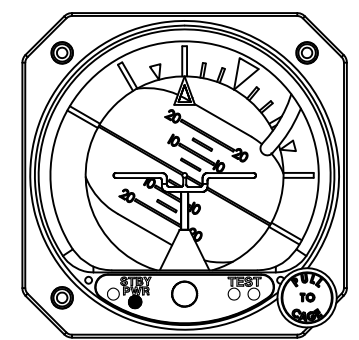
4300 Series Rear-Mount Panel Cutout
Maximum panel thickness: 0.14



4300 Series Front-Mount Panel Cutout

10V to 32V Connector Pinout	
A	Ground (DC)
B	Lighting (No polarity)
C	+10VDC to 32VDC Input
D	Lighting (No polarity)

OPTIONS TABLE	
Panel Tilt Calib.	0° to 20°
Lighting Voltage	5V or 14V or 28V (9015640-X)
Lighting Color	White or Blue/White or Red or NVIS
Miscellaneous Parts:	Non-trimmable Symbolic Airplane Knob Cover (P/N 36022) Slip Indicator Kit (P/N 36023) Front Mount Kit: 3/32" thk (P/N 36028-1) or 1/2" thk (P/N 36027-1) Panel Wedges: 3" (PW3R-3) or 4" (PW3R-4) Mating Connector Kit (P/N 9015514) Replacement Battery Kit (P/N 9015607) Remote Battery Mounting Kit (P/N 9015671)



- Note:
- Power Input: 10 to 32 VDC
Current ratings:
(at 14 VDC) start 1.8A Max, run 0.55A nominal ±15%.
(at 27.5 VDC) start 0.9A Max, run 0.27A nominal ±15%.
 - User replaceable light tray wired through rear connector.
 - Meets requirements of FAA TSO C4c.
 - MTBF 7500 hours.
 - Qualified to: RTCA DO-160D Env. Cat. C1BAB[(SBM)(RBB1)]XXXXXXZZAZZ[WF]M[A3H33]XXA.
 - Connector: MS3112E8-4P. Mates with: MS3116F8-4S or equivalent.
 - Cover glass is HEA (anti-reflective) coated.
 - Weight (incl. battery): 3.7 lbs.
 - Seam to be covered with acetate tape (8017360) for dust protection.
 - Rotating Roll Dial background is Blue/Brown with White index marks. Fixed Roll Dial background is Flat Black with White index marks.
 - Bezel is black.
 - Run time on battery: 45 minutes minimum.
 - Automatic switch to internal battery power if main power fails and automatic switch back if main power is restored. Automatic internal LED lighting when running on internal battery.
 - Automatic battery charging when main power is on. Recommended battery replacement interval: 3 years (user replaceable).

Colors (Per Fed-Std-595b)	
Blue	# 35250
Brown	# 30108
Red	# 38905
Black	# 37038
White	# 37875
Orange	Day-Glo Arc Yellow #16

UNLESS OTHERWISE SPECIFIED, ALL DIMENSIONS ARE IN INCHES.
TOLERANCE:
FRACTIONAL=±1/64
.XX=±0.015
.XXX=±0.005
.XXXX=±0.002
ANGULAR=±0.5°
CONCENTRICITY: 0.005 TIR
BREAK ALL SHARP EDGES
THREADS PER MIL-S-7742

DRAWN:
S. Haines
03/10/2003
APPROVED:
03/11/2003

This document discloses proprietary information of Mid-Continent Instrument Co., Inc. It may be reproduced or disclosed only with written permission of Mid-Continent Instrument Co. and is not to be used in any way detrimental to the interests of Mid-Continent Instrument Co., Inc.

Mid-Continent
INSTRUMENTS+AVIONICS

TITLE: Electric Attitude Indicator with Battery
PART NUMBER: 4300-4()
SCALE: None DO NOT SCALE THIS DRAWING SHEET 1 of 1

Item	Qty	Part Number	Description
1	A/R	8017360	Tape, Acetate
2	1	6018865	Decal, Caution
3	1	36024-2	Nameplate
4	1	36025-1	Decal, Options EGH
5	1	8012486-10YF	Cover, Connector
6	1	6018956	Decal, Warranty
7	1	9015882	Tag, Reference 4300-4XX
8	1	9015908	Cord, Stretch
9	1	See Config.	EGH Assy