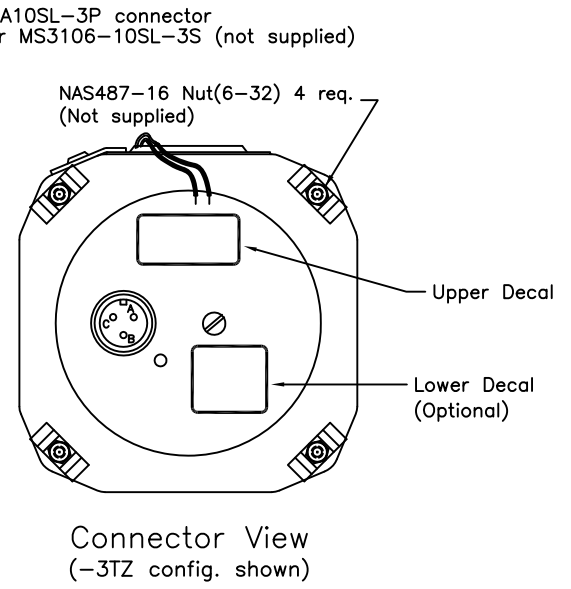
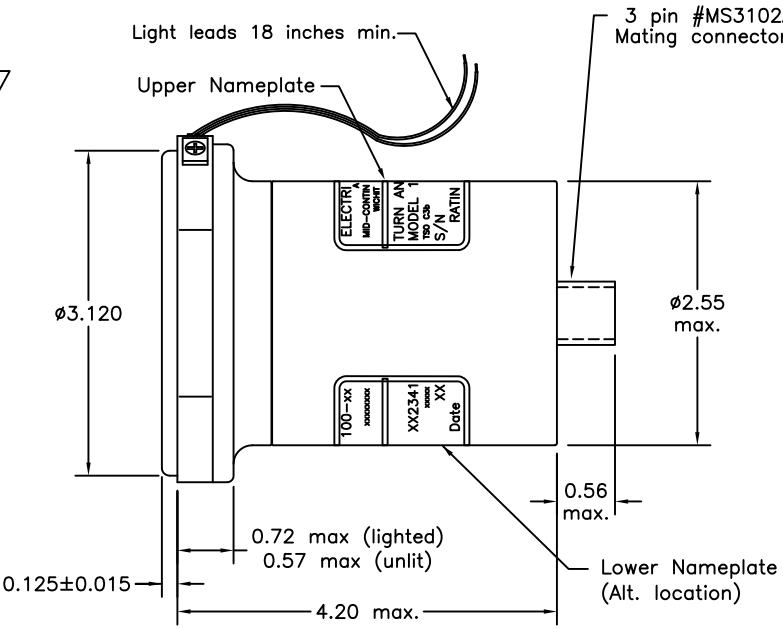
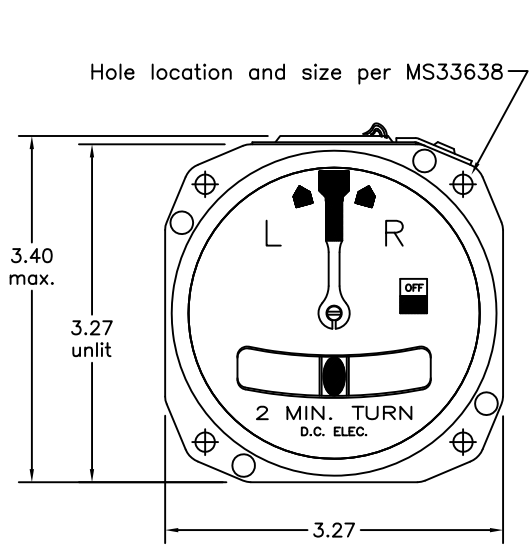


Configuration					
Dash #	Inclinometer Ball/Bkgrnd	Dial Marking Colors			Top Level Assembly
		"2 MIN TURN"	"DC ELEC"	"L" & "R"	
-3TZ \triangle	Black/White	White	Blue	White	1234101-3TZ
-7TZ	Black/White	White	Blue	White	1234101-7TZ
-7TZ6	Black/White	White	Blue	White	1234101-7TZ
-9TZ	Black/White	White	Blue	White	1234101-9TZ
-3ATZ \triangle	White/Black	Blue	Blue	Blue	1234101-3ATZ
-7ATZ	White/Black	Blue	Blue	White	1234101-7ATZ
-8ATZ	White/Black	White	Blue	White	1234101-8ATZ

Revisions						
		See obsolete dwg for revision history.				
1936	AV	1394524-2 was 1394524-1 for -3ATZ.			10/02/00	JBR
2138	AX	Add EGC configs, 6019178-3 was 1394515, for -9TZ: 6019137 was 6019145-1.			01/19/01	JBR
2224	AY	0.125±0.015 was 0.15, add "max" to ϕ 2.55 & 0.56, 4.20 max was 3.80 (unlit) & 4.50 (lighted), add 0.72 max. and 0.57 max dims.			03/14/01	JBR/ScH
6262	AZ	Delete customer P/N column from config. table. Consolidate dash #s, move decal & nameplate info, notes 7 & 8 to MI.			10/03/14	ScH/WVC
6775	BA	Weight in title block was Concentricity.			07/06/17	ScH/VAA

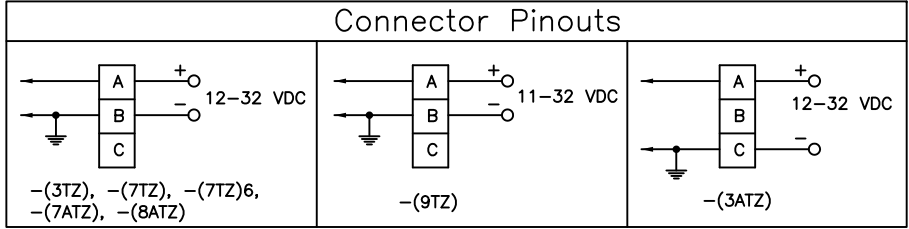


Specifications

MTBF: 1800 Hours
 Power: 12-32 VDC (11-32 VDC for -9TZ)
 Current: 0.35A running, 0.8A starting
 Weight: 1.2 lbs

Note:

- 1) Conforms to TSO C3b.
- 2) Case is flat black, except -3ATZ which is flat gray.
- 3) Lighting available with 5, 14, or 28 volt lamps. (External light wires)
- 4) Cover glass anti-reflective coated when specified.
- 5) Functional test per TDS141.
- 6) Upper or lower Nameplate attached per MI 1234101-TZ.



UNLESS OTHERWISE SPECIFIED, ALL DIMENSIONS ARE IN INCHES.
 TOLERANCE:
 FRACTIONAL=±1/32
 .XX=±0.015
 .XXX=±0.005
 .XXXX=±0.002
 ANGULAR=±0.5°
 WEIGHT: N.T.E.+5%
 BREAK ALL SHARP EDGES
 THREADS PER MIL-S-7742

DRAWN:
 05/15/1998
 J. Reed
 APPROVED:
 07/21/1998
 D. Clark

This document discloses proprietary information of Mid-Continent Instrument Co., Inc. It may be reproduced or disclosed only with written permission of Mid-Continent Instrument Co. and is not to be used in any way detrimental to the interests of Mid-Continent Instrument Co., Inc.



TITLE:
 Indicator, Turn and Slip
 SCALE: None DO NOT SCALE THIS DRAWING

PART NUMBER:
 1234T100
 SHEET 1 of 1