

TRUE BLUE POWER®

A division of Mid-Continent Instrument Co., Inc.



Wireless Chargers

TWC15 Series

Manufactured by Mid-Continent Instrument Co., Inc.

Deliver up to 15 watts to smartphones and wireless headphones.

True Blue Power® Wireless Chargers provide the thinnest charging module, the largest charging area, and the most compact design.



Product features

OUTPUT POWER	15 watts (maximum)
INPUT POWER	26 watts (maximum)
INPUT VOLTAGE	12 – 32 VDC (1.9A at 14 VDC) (0.9A at 28 VDC)
CHARGING DEPTH	Up to 0.375" (9 mm)
STATUS INDICATION	Standby, Charging, Charge Complete and Fault
PROTECTION	Short circuit, power surges, overload, over temperature, reverse polarity and foreign object detection
APPLICATIONS	In-seat, cabin and cockpit
DESIGNED AND MANUFACTURED	Wichita, Kansas, USA
WARRANTY	Two-year limited warranty

3

EASY-TO-INSTALL CONFIGURATIONS

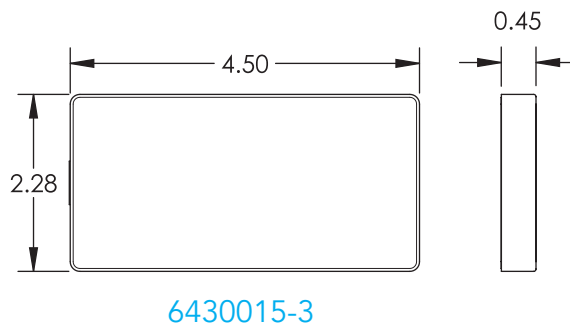
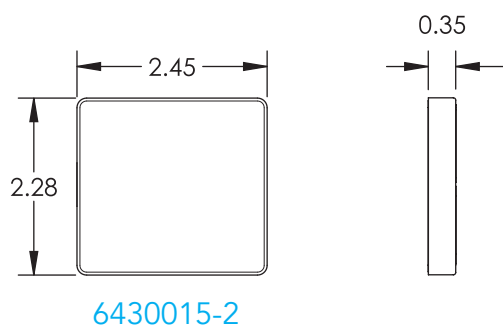
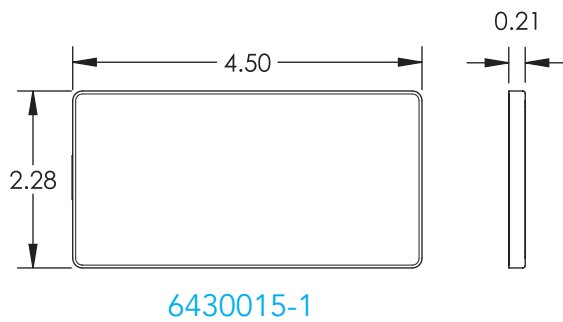
Kansas

9400 East 34th Street North
Wichita, Kansas 67226 USA
Tel 316.630.0101 800.821.1212
Fax 316.630.0723
tbp@mcico.com

California

16320 Stagg Street
Van Nuys, California 91406 USA
Tel 818.786.0300 800.345.7599
Fax 818.786.2734
tbp@mcico.com

truebluepowerusa.com



Technical specifications

OUTPUT POWER	15 watts (maximum)
INPUT POWER	26 watts (maximum)
INPUT VOLTAGE	12 – 32 VDC (1.9A at 14 VDC) (0.9A at 28 VDC)
CHARGING DEPTH	Up to 0.375" (9 mm)
WEIGHT	6430015-1 3.4 ounces (96 grams) 6430015-2 3.0 ounces (85 grams) 6430015-3 5.9 ounces (167 grams)
DIMENSIONS	6430015-1 4.50" L x 2.28" W x 0.21" H 6430015-2 2.45" L x 2.28" W x 0.35" H 6430015-3 4.50" L x 2.28" W x 0.45" H
MATING CONNECTOR KIT	P/N 9019739-1 (included)
MOUNTING	(4) #2-56 threaded holes
INSTALLATION	In-seat, cabin and cockpit
CASE	Anodized aluminum, black
CERTIFICATION	FAA TSO C71 RTCA DO-160G