

TRUE BLUE POWER®

A division of Mid-Continent Instrument Co., Inc.



Emergency Battery Power Supply

TS60 Series

Manufactured by Mid-Continent Instrument Co., Inc.

The TS60 Series Emergency Battery Power Supply automatically provides constant 6.6 VDC power for emergency lighting systems in the event of electrical system failure.



TS60

Product features

CAPACITY	6430060-1, -2	28 watt-hour
	6430060-3, -4	43 watt-hour
WEIGHT	6430060-1, -2	3.8 lbs (1.72 kg)
	6430060-3, -4	4.0 lbs (1.81 kg)
TECHNOLOGY	Advanced NanoPhosphate® lithium-ion cell chemistry	
INPUT VOLTAGE	6430060-1, -2	17 – 32 VDC
	6430060-3, -4	24 – 32 VDC
OUTPUT POWER	6430060-1, -3	6.6 VDC nominal, 4 amps maximum
	6430060-2, -4	6.6 VDC nominal, 7 amps maximum
MAINTENANCE SCHEDULE	2 years	
BATTERY LIFE EXPECTANCY	8 years (average)	
DIRECT REPLACEMENT	6430060-1, -3	Honeywell Grimes 60-3844-()
	6430060-2, -4	Honeywell Grimes 60-5025-()
RECHARGING	Maintains full charge by recharging during normal flight operations	
DESIGNED AND MANUFACTURED	Wichita, Kansas, USA	
WARRANTY	Two-year limited	

The power supply features advanced NanoPhosphate® lithium-ion cell chemistry that offers distinct advantages over older, nickel-cadmium designs. This includes significantly reduced maintenance costs, drastically improved life expectancy, low state-of-charge indication, and an on-unit visual status indicator.

The TS60 Series utilizes aircraft power to recharge and maintain full capacity. It is a direct replacement for Honeywell Grimes power supplies and battery assemblies.

Kansas

9400 East 34th Street North
Wichita, Kansas 67226 USA
Tel 316.630.0101 800.821.1212
Fax 316.630.0723
tbp@mcico.com

California

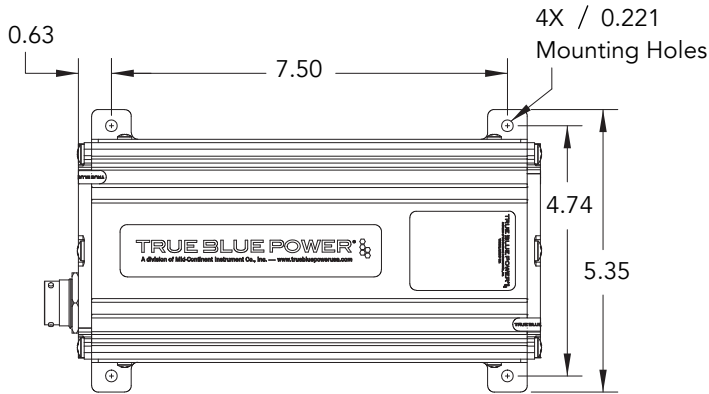
9722 Topanga Canyon Blvd
Chatsworth, California 91311 USA
Tel 818.786.0300 800.345.7599
Fax 818.786.2734
tbp@mcico.com

truebluepowerusa.com

Emergency Battery Power Supply

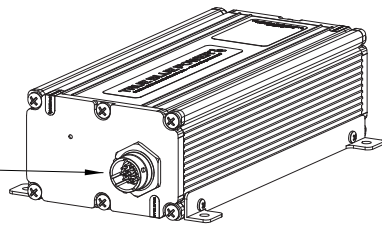
TS60 Series

Manufactured by Mid-Continent Instrument Co., Inc.



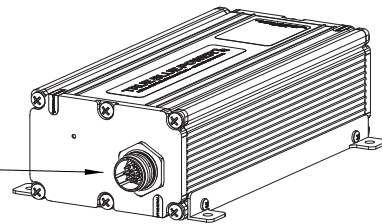
6430060-1, -3

Connector per M83723/74W1212N



6430060-2, -4

Connector per M83723/85W1212N



Technical specifications

CAPACITY	6430060-1, -2	28 watt-hour
	6430060-3, -4	43 watt-hour
INPUT VOLTAGE	6430060-1, -2	17 – 32 VDC
	6430060-3, -4	24 – 32 VDC
OUTPUT POWER	6430060-1, -3	6.6 VDC nominal, 4 amps maximum
	6430060-2, -4	6.6 VDC nominal, 7 amps maximum
WEIGHT	6430060-1, -2	3.8 lbs (1.72 kg)
	6430060-3, -4	4.0 lbs (1.81 kg)
TECHNOLOGY	Advanced NanoPhosphate® lithium-ion cell chemistry	
DIMENSIONS	2.60" H x 8.75" L x 5.35" W	
BATTERY LIFE EXPECTANCY	8 years (average)	
PROTECTION	Overcharge, over-discharge, over-current, short circuit, and temperature monitoring	
MATING CONNECTOR	6430060-1, -3	9019011-1
	6430060-2, -4	9019011-2
CASE	Anodized aluminum, extrusion, blue	
CERTIFICATION	FAA TSO C179b certified Class A-3A RTCA-DO 311A qualified RTCA-DO 160G qualified	

Product comparison

Part Number	Battery Technology	Voltage Output	Capacity (1C rate)	Weight	Battery Life Expectancy
6430060-1	Lithium-ion	6.6 VDC	28 Watt hours	3.8 lbs	8 years
6430060-3	Lithium-ion	6.6 VDC	43 Watt hours	4.0 lbs	8 years
60-3844-1	Nickel-cadmium	6.4 VDC	20 Watt hours	3.6 lbs	4 – 5 years
6430060-2	Lithium-ion	6.6 VDC	28 Watt hours	3.8 lbs	8 years
6430060-4	Lithium-ion	6.6 VDC	43 Watt hours	4.0 lbs	8 years
60-5025-1	Nickel-cadmium	5.2 – 7.5 VDC	20 Watt hours	4.3 lbs	4 – 5 years