

# TRUE BLUE POWER®

A division of Mid-Continent Instrument Co., Inc.

## 1200VA DC-to-AC Inverter

### TI1200 Series

Manufactured by Mid-Continent Instrument Co., Inc.

The TI1200 Series Inverter supplies 1200 watts of power to a variety of cabin accessories, galley equipment, avionics, entertainment and aircraft systems. It is ideal for use in special mission and VIP cabin configurations.



Lighter and smaller than competing inverters, the TI1200 Series has the same connector and footprint as legacy designs, plus overload and short-circuit protection up to 150% of the rated load.

The TI1200 power output is compatible with the North American standard for voltage and frequency, while the TI1202 is compatible with the electrical standard used in more than 90 countries.

The TI1204 is commonly used to provide power for 400 Hertz equipment.

#### Product features

OUTPUT POWER	1200 VA
INPUT VOLTAGE	20 – 36 VDC
OUTPUT VOLTAGE	TI1200 115 VAC ± 3% TI1202 230 VAC ± 3% (P/N 6431200-3) 240 VAC ± 3% (P/N 6431200-8) TI1204 115 VAC ± 3%
OUTPUT FREQUENCY	TI1200 60 Hz TI1202 50 Hz TI1204 400 Hz
EFFICIENCY	88%
REMOTE CONTROL	Remote On/Off
OVERLOAD AND SHORT-CIRCUIT PROTECTION	Input transient, overload and short-circuit protection (up to 150% of rated load without damage)
DESIGNED AND MANUFACTURED	Wichita, Kansas, USA
WARRANTY	Two-year limited

#### Kansas

9400 East 34th Street North  
Wichita, Kansas 67226 USA  
Tel 316.630.0101 800.821.1212  
Fax 316.630.0723  
tbp@mcico.com

#### California

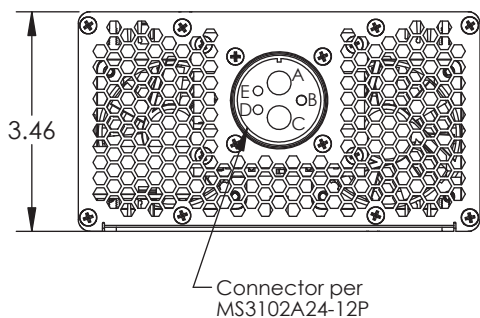
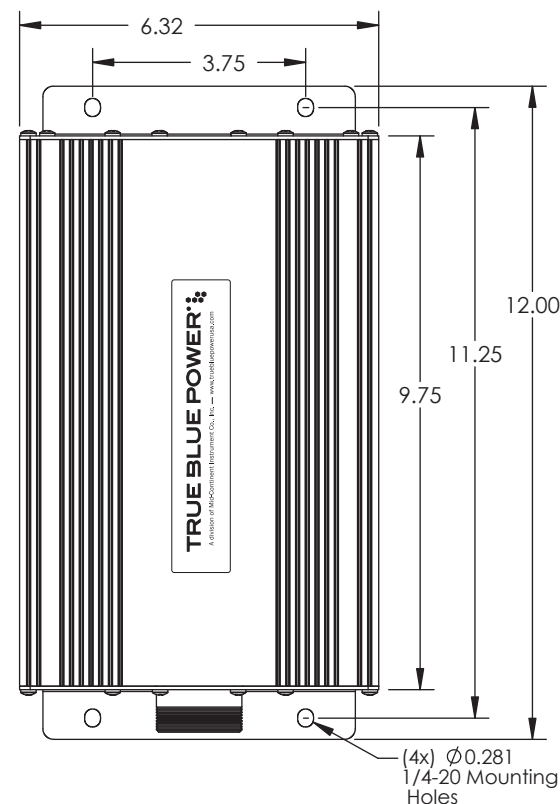
16320 Stagg Street  
Van Nuys, California 91406 USA  
Tel 818.786.0300 800.345.7599  
Fax 818.786.2734  
tbp@mcico.com

[truebluepowerusa.com](http://truebluepowerusa.com)

# 1200VA DC-to-AC Inverter

## TI1200 Series

Manufactured by Mid-Continent Instrument Co., Inc.



### Technical specifications

INPUT VOLTAGE	20 – 36 VDC
INPUT CURRENT	60A at 28 VDC input
OUTPUT VOLTAGE	TI1200 115 VAC $\pm$ 3% TI1202 230 VAC $\pm$ 3% (P/N 6431200-3) 240 VAC $\pm$ 3% (P/N 6431200-8) TI1204 115 VAC $\pm$ 3%
OUTPUT POWER	1200 VA
OUTPUT FREQUENCY	TI1200 60 Hz $\pm$ 0.1% TI1202 50 Hz $\pm$ 0.1% TI1204 400 Hz $\pm$ 0.1%
OUTPUT WAVEFORM	Single phase, true sine wave < 3% total harmonic distortion
WEIGHT	7.3 lbs. (3.31 kg)
ALTITUDE	55,000 ft
HUMIDITY	Tested to greater than 95% for 10 days, temperature cycle of 75° F to 160° F
TEMPERATURE	-67° F to +158° F (-55° C to +70° C)
INTEGRAL COOLING	Dual, electronically-controlled brushless fans
MATING CONNECTOR	TI1200 / TI1202 9017235-1 (connector) 9017235-2 (cable clamp) TI1204 9019110-1 (connector) 9017235-2 (cable clamp)
CASE	Anodized aluminum extrusion, blue
CERTIFICATION	FAA TSO-C73 certified EASA ETSO-C73 certified RTCA DO-160G qualified

### AC Outlet Option

Model	Part Number	Compatibility	Current Rating	Weight	Dimensions	Connector	Case
TI1200	9018708-1	North American	15 amps	0.3 lbs (0.14 kgs)	1.75" W x 1.75" H x 1.70" D	Mate-N-Lok	Aluminum
	9018708-3	North American	15 amps	0.3 lbs (0.14 kgs)	1.75" W x 1.75" H x 1.70" D	None	Aluminum
TI1202	9018708-1	North American	15 amps	0.3 lbs (0.14 kgs)	1.75" W x 1.75" H x 1.70" D	Mate-N-Lok	Aluminum
	9018708-2	Universal	14 amps	0.49 lbs (0.22 kgs)	2.30" W x 2.30" H x 1.94" D	Mate-N-Lok	Aluminum
	9018708-3	North American	15 amps	0.3 lbs (0.14 kgs)	1.75" W x 1.75" H x 1.70" D	None	Aluminum
	9018708-4	Universal	14 amps	0.49 lbs (0.22 kgs)	2.30" W x 2.30" H x 1.94" D	None	Aluminum