

# TRUE BLUE POWER

## 800W and 1200W AC-to-DC Converter

### TC800 Series

Manufactured by Mid-Continent Instrument Co., Inc.

Available in four unique configurations, TC800 Series AC-to-DC Converters deliver 800 watts and 1,200 watts of DC power to IFE systems, USB chargers, avionics, and other equipment.



**800 and 1,200 watts  
of 28-VOLT DC POWER**

The TC800 Series features a modular design ideal for commercial and business aircraft, VIP cabin configurations, and special missions applications. A brushless fan increases power output to 1,200 watts and units equipped with a hold-up module protect IFE systems and avionics, providing continuous power during input voltage dropouts, up to 300 milliseconds.

#### Product features

|                           |  |
|---------------------------|--|
| OUTPUT POWER              | 6430800-10 800W<br>6430800-11 800W<br>6430800-20 1200W<br>6430800-21 1200W   |
| INPUT VOLTAGE             | 115/200 VAC, 3 phase, 4 wire<br>360 – 800 Hz   |
| OUTPUT VOLTAGE            | 28 VDC $\pm$ 0.4 VDC (adjustable)  |
| EFFICIENCY                | 92%  |
| REMOTE CONTROL            | Yes  |
| COOLING                   | 6430800-10, -11 None required<br>6430800-20, -21 Brushless fan   |
| PROTECTION                | Input transient, temperature monitoring, short circuit and overload protection (up to 110% of rated load without damage) |
| DESIGNED AND MANUFACTURED | Wichita, Kansas, USA   |
| WARRANTY                  | Two-year limited   |

#### Kansas

9400 East 34th Street North  
Wichita, Kansas 67226 USA  
Tel 316.630.0101 800.821.1212  
Fax 316.630.0723  
tbp@mcico.com

#### California

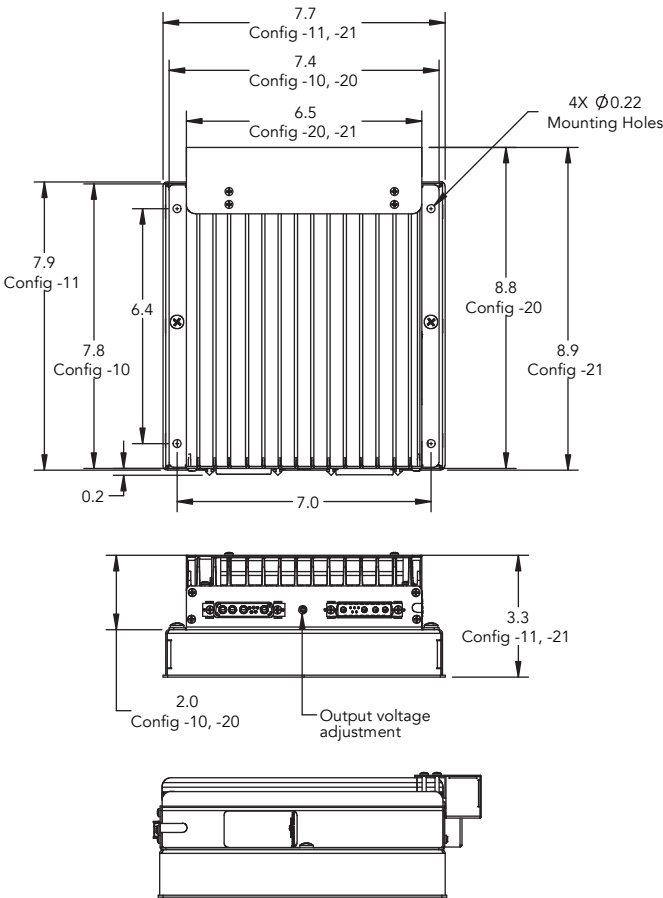
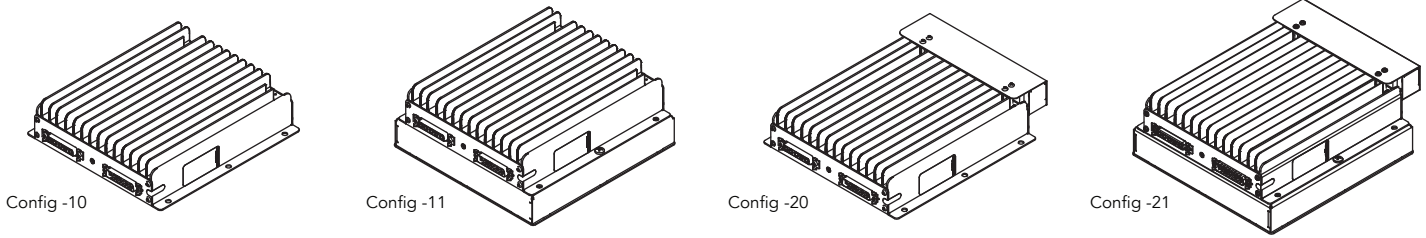
9722 Topanga Canyon Blvd  
Chatsworth, California 91311 USA  
Tel 818.786.0300 800.345.7599  
Fax 818.786.2734  
tbp@mcico.com

[truebluepower.com](http://truebluepower.com)

# 800W and 1200W AC-to-DC Converter

## TC800 Series

Manufactured by Mid-Continent Instrument Co., Inc.



### Technical specifications

|                  |  |
|------------------|--|
| INPUT VOLTAGE    | 115/200 VAC, 3 phase, 4 wire<br>360 – 800 Hz   |
| INPUT CURRENT    | 3.9 A Nominal  |
| OUTPUT VOLTAGE   | 28 VDC ± 0.4 VDC (adjustable)  |
| WEIGHT           | 6430800-10 3.8 lbs (1.72 kg)<br>6430800-11 6.5 lbs (2.95 kg)<br>6430800-20 3.9 lbs (1.77 kg)<br>6430800-21 6.6 lbs (3.00 kg)                             |
| DIMENSIONS       | 6430800-10 7.8" L x 7.4" W x 2.0" H<br>6430800-11 7.9" L x 7.7" W x 3.3" H<br>6430800-20 8.8" L x 7.4" W x 2.0" H<br>6430800-21 8.9" L x 7.7" W x 3.3" H |
| ALTITUDE         | 55,000 ft  |
| TEMPERATURE      | -67°F to +158°F (-55°C to +70°C)   |
| MATING CONNECTOR | MCI P/N 9020430-1  |
| CASE             | Anodized aluminum extrusion, blue  |
| CERTIFICATION    | FAA TSO-C71 pending<br>RTCA DO-160G pending  |

### Configurations

| Part Number | Dimensions               | Brushless Fan | Hold-up Module | Watts | Weight            |
|-------------|--------------------------|---------------|----------------|-------|-------------------|
| 6430800-10  | 7.8" L x 7.4" W x 2.0" H | ✗             | ✗              | 800W  | 3.8 lbs (1.72 kg) |
| 6430800-11  | 7.9" L x 7.7" W x 3.3" H | ✗             | ✓              | 800W  | 6.5 lbs (2.95 kg) |
| 6430800-20  | 8.8" L x 7.4" W x 2.0" H | ✓             | ✗              | 1200W | 3.9 lbs (1.77 kg) |
| 6430800-21  | 8.9" L x 7.7" W x 3.3" H | ✓             | ✓              | 1200W | 6.6 lbs (3.00 kg) |